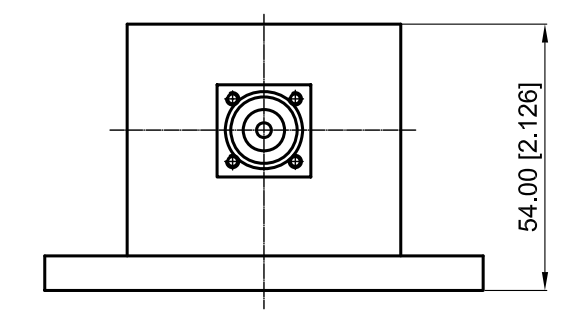
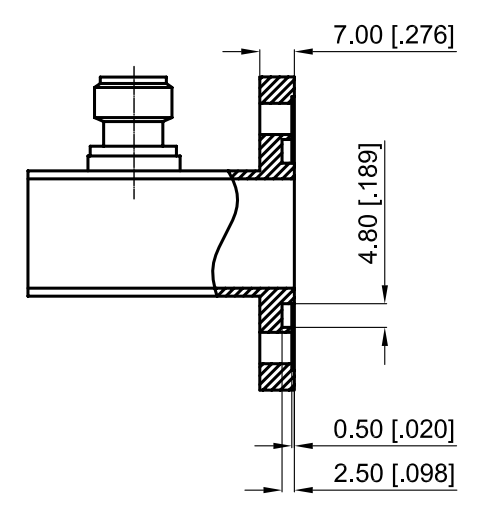
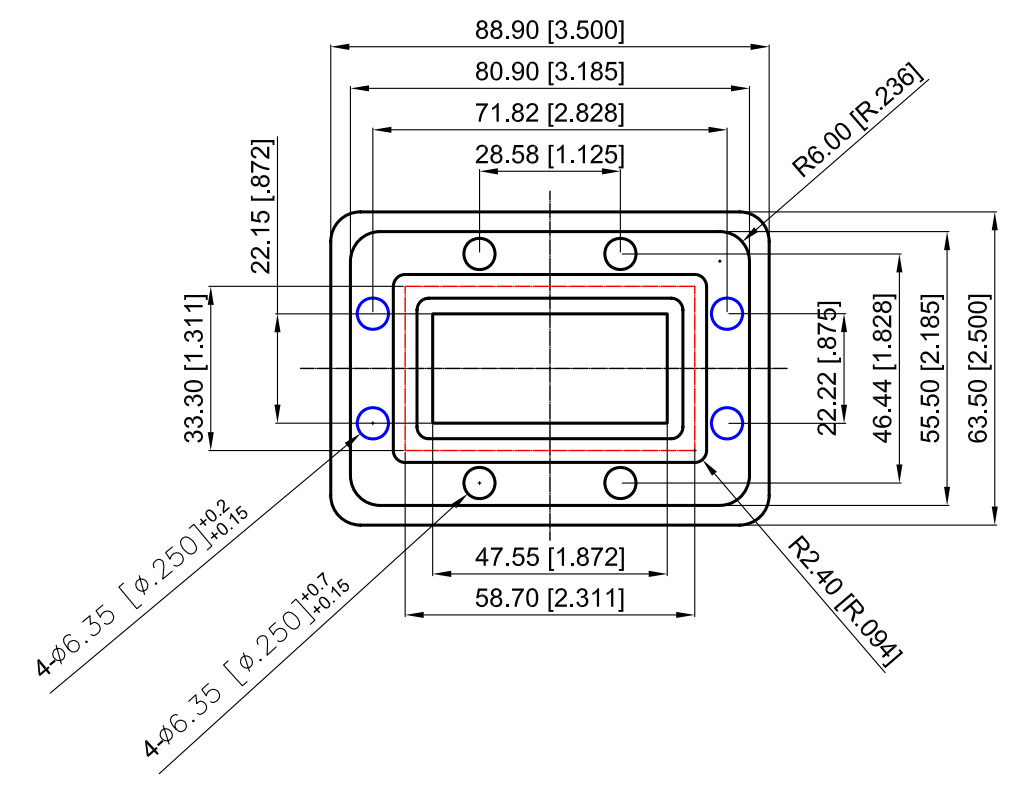


Revisions			
Rev	Description	Date	Approved:
A	Initial Release	2016.9.6	A. M



ELECTRICAL PERFORMANCE
 1. Freq Range: 3.94-5.99 GHz
 2. VSWR: 1.25 max.

NOTES:
 1. ALL SPECIFICATIONS ARE SUBJECT TO CHANGE WITHOUT NOTICE AT ANY TIME
 2. CUSTOMER OUTLINE DRAWING FOR REFERENCE ONLY

Drawn:	W. Y 2016.9.6
Checked:	T. L 2016.9.6
Approved:	A. M 2016.9.6
Unless Otherwise Specified Dimensions are in Millimeters, Dimensions in [] are in Inches for Customer Reference Only. Unless Otherwise Specified Tolerance are: .XX ±0.13 [.005"] .X ±0.20 [.008"] X ±0.50 [.019"] .X° ±1° X° ±2°	

Title:	PDR48 (WR187) to N Female Adaptor, Freq 3.94-5.99 GHz
Part No:	DWCAR187NFL

DEEWAVE
www.deewave.com

View:

Size: A3	Scale: 1:1.5	Sheet: 1/1	Rev: A
----------	--------------	------------	--------