

ELECTRICAL SPECIFICATIONS

Frequency Range: 8.2-12.4 GHz

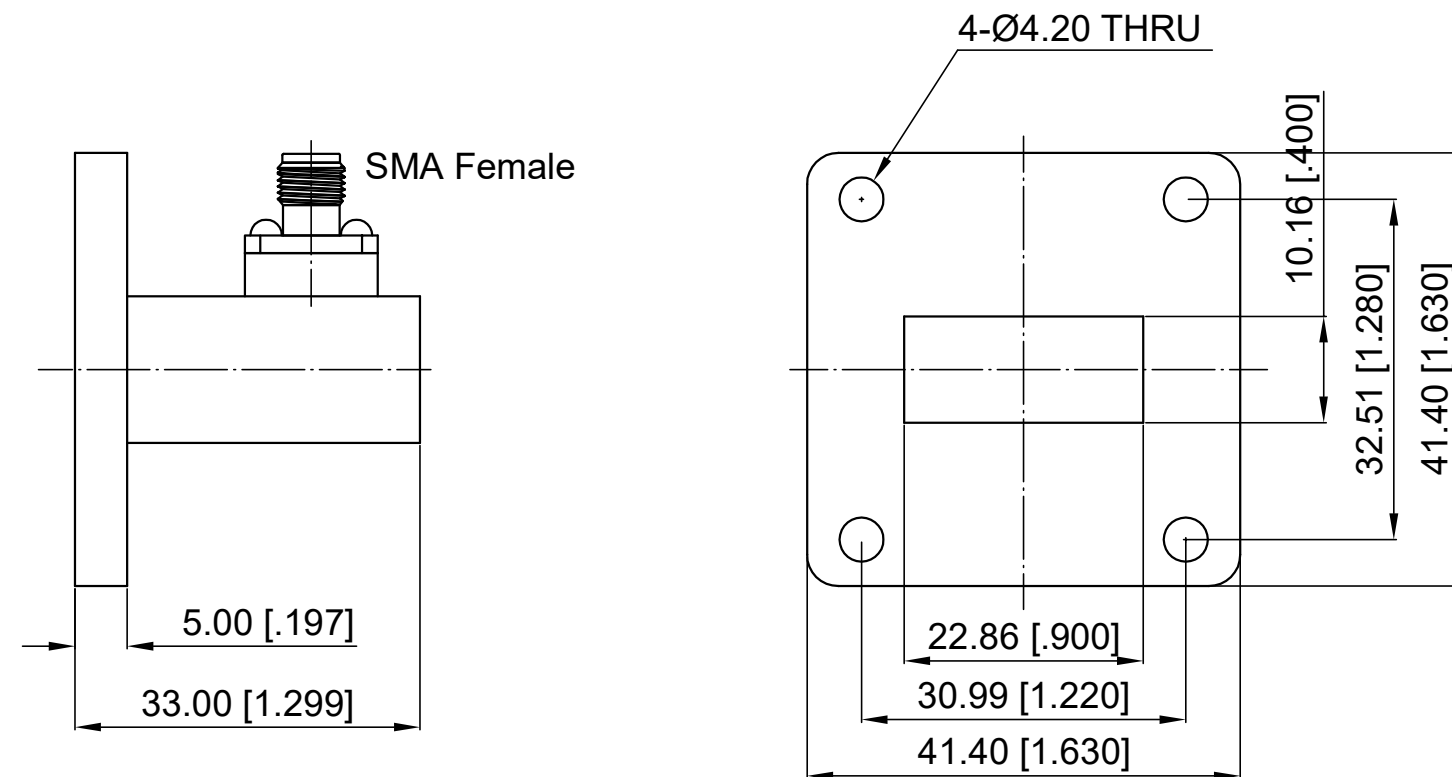
VSWR: 1.25 max.

MATERIAL

Waveguide Body: Alminum, Oxidized, Paint Gray

SMA Body: Brass Plated Gold

Revisions			
Rev	Description	Date	Approved:
A	Initial Release	2015.2.2	A. M



NOTES:

1. ALL SPECIFICATIONS ARE SUBJECT TO CHANGE WITHOUT NOTICE AT ANY TIME
2. CUSTOMER OUTLINE DRAWING FOR REFERENCE ONLY

Drawn:	W. Y 2015.2.2
Checked:	T. L 2015.2.2
Approved:	A. M 2015.2.2
Unless Otherwise Specified Dimensions are in Millimeters, Dimensions in [] are in Inches for Customer Reference Only. Unless Otherwise Specified Tolerance are: .XX ±0.13 [0.005"] .X ±0.20 [0.008"] X ±0.50 [0.019"] .X° ±1° X° ±2°	

Title:	WR90 (UBR100) Right Angle to SMA Female Adaptor, Freq 8.2-12.4 GHz
Part No:	DWCA90SFL

DEEWAVE
www.deewave.com

View:

Size:	Scale:	Sheet:	Rev:
A3	1:1	1/1	A