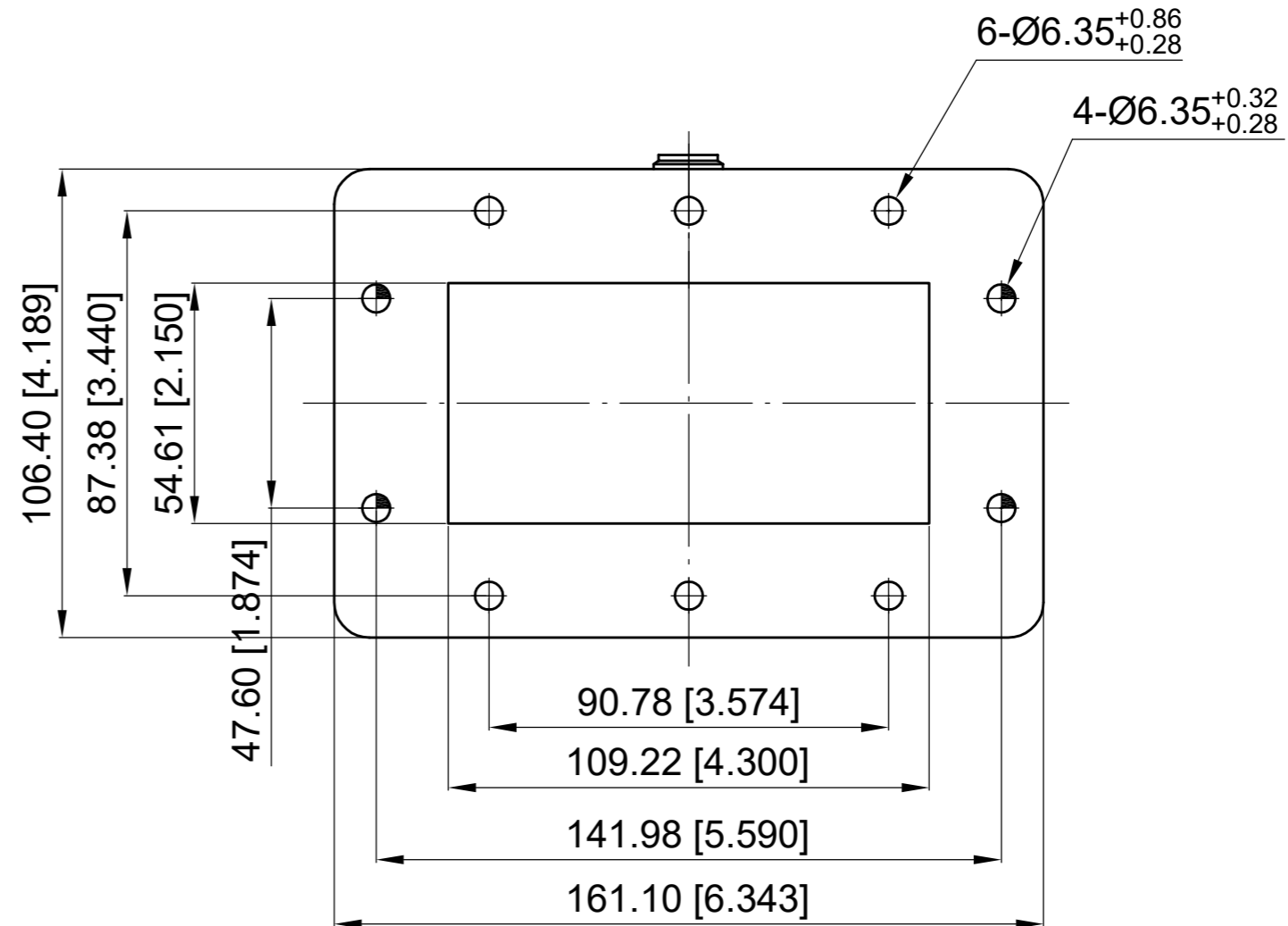
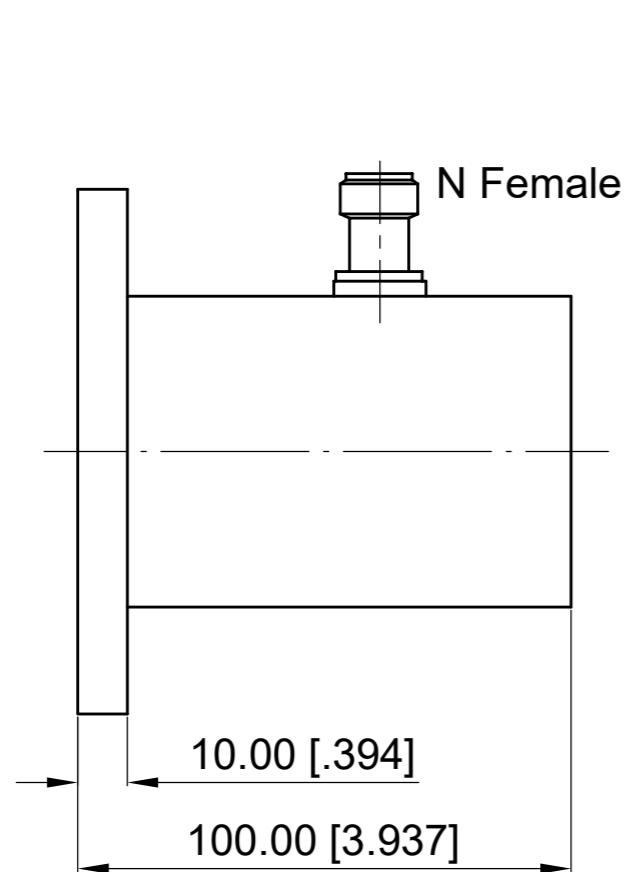


Revisions			
Rev	Description	Date	Approved:
A	Initial Release	2021.2.23	A. M

**ELECTRICAL PERFORMANCE**  
 Frequency Range: 1.72-2.61 GHz  
 VSWR: 1.25 max.

**MATERIAL**  
 Body: Alumium



NOTES:

1. ALL SPECIFICATIONS ARE SUBJECT TO CHANGE WITHOUT NOTICE AT ANY TIME
2. CUSTOMER OUTLINE DRAWING FOR REFERENCE ONLY

Drawn:	W. Y 2021.2.23
Checked:	T. L 2021.2.23
Approved:	A. M 2021.2.23
Unless Otherwise Specified Dimensions are in Millimeters, Dimensions in [ ] are in Inches for Customer Reference Only. Unless Otherwise Specified Tolerance are: .XX ±0.13 [.005"] .X ±0.20 [.008"] X ±0.50 [.019"] .X° ±1° X° ±2°	

Title:	WR430 (UDR22) RA to N Female Adaptor, Freq 1.72-2.61 GHz
Part No:	DWCA430D1NFL

**DEEWAVE**  
[www.deewave.com](http://www.deewave.com)

View:

Size:	Scale:	Sheet:	Rev:
A3	1:1.5	1/1	A