

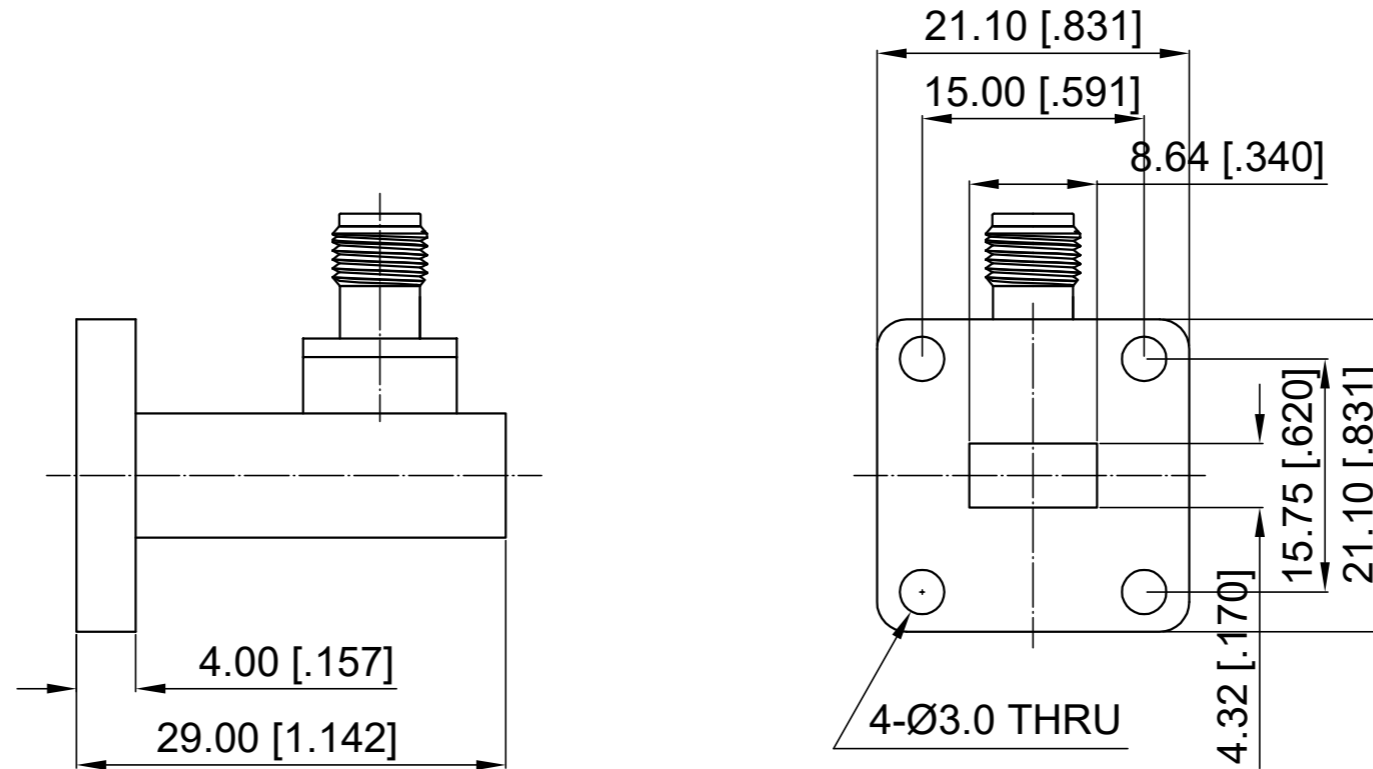
Revisions			
Rev	Description	Date	Approved:
A	Initial Release	2017.3.9	A. M
B	Outline Updated	2021.4.19	A. M

ELECTRICAL PERFORMANCE

Impedance: 50 Ohm
Frequency Range: 21.7-33 GHz
VSWR: 1.30 Max.

MATERIAL

Body: Brass, Ag plated, Painted



NOTES:

- 1. ALL SPECIFICATIONS ARE SUBJECT TO CHANGE WITHOUT NOTICE AT ANY TIME
- 2. CUSTOMER OUTLINE DRAWING FOR REFERENCE ONLY

Drawn:	W. Y 2021.4.19
Checked:	T. L 2021.4.19
Approved:	A. M 2021.4.19
Unless Otherwise Specified Dimensions are in Millimeters, Dimensions in [] are in Inches for Customer Reference Only. Unless Otherwise Specified Tolerance are: .XX ±0.13 [.005"] .X ±0.20 [.008"] X ±0.50 [.019"] .X° ±1° X° ±2°	

Title:	WR34 (UBR260) Right Angle to 2.92mm Female Adaptor, Freq 21.7-33 GHz
Part No:	DWCA34-292FL



View:	
Size:	A3
Scale:	2:1
Sheet:	1/1
Rev:	B