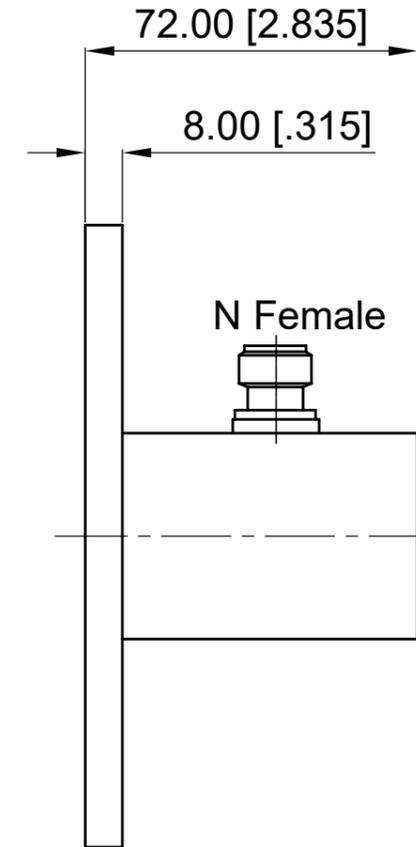
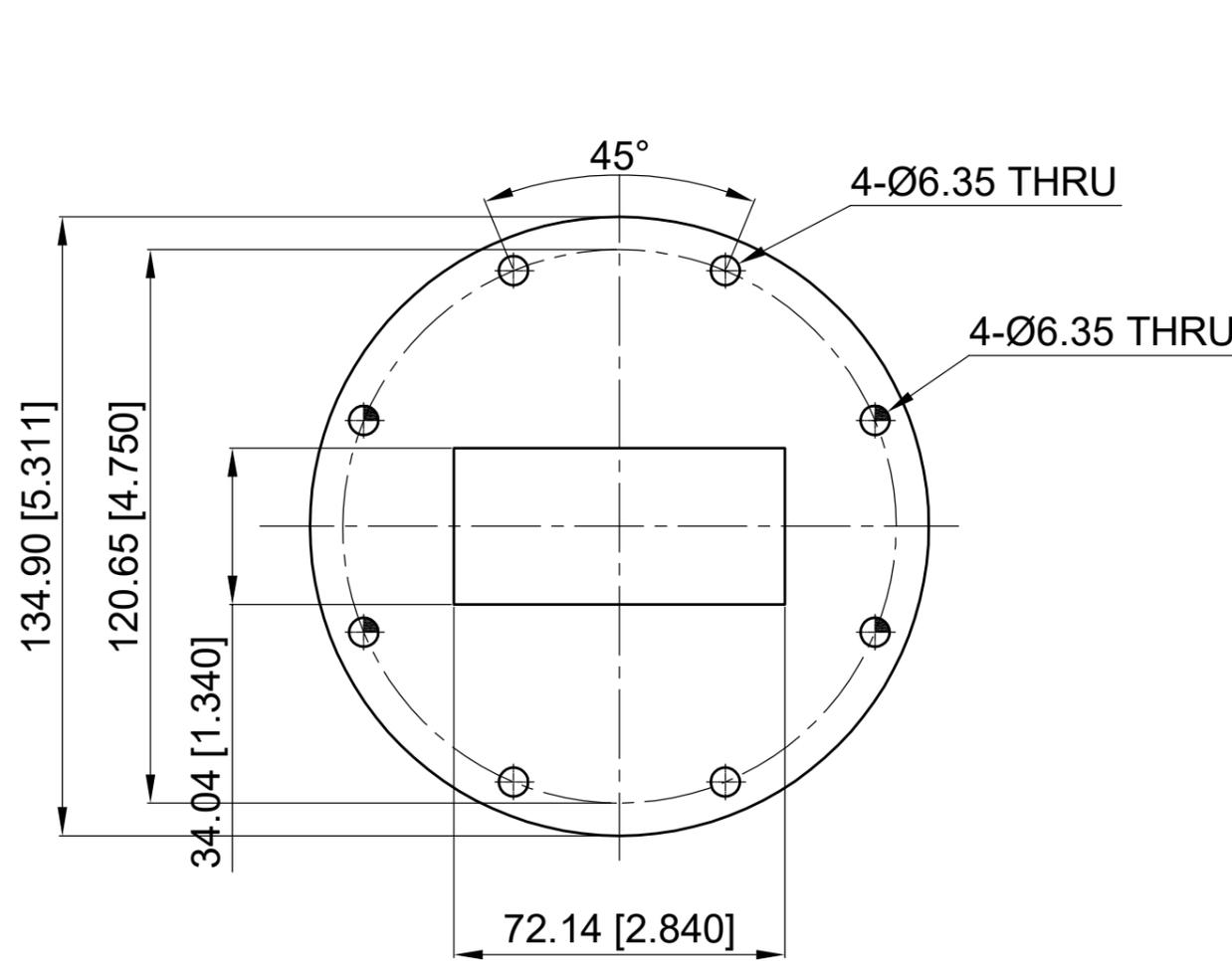


ELECTRICAL PERFORMANCE

1. Frequency Range: 2.6-3.95 GHz
2. VSWR: 1.25 max.
3. WG Type: WR284
4. Flange Type: UAR32

Revisions			
Rev	Description	Date	Approved:
A	Initial Release	2017.12.29	A. M



NOTES:

1. ALL SPECIFICATIONS ARE SUBJECT TO CHANGE WITHOUT NOTICE AT ANY TIME
2. CUSTOMER OUTLINE DRAWING FOR REFERENCE ONLY

Drawn:	W. Y 2017.12.29
Checked:	T. L 2017.12.29
Approved:	A. M 2017.12.29
Unless Otherwise Specified Dimensions are in Millimeters, Dimensions in [] are in Inches for Customer Reference Only. Unless Otherwise Specified Tolerance are: .XX ±0.13 [.005"] .X ±0.20 [.008"] X ±0.50 [.019"] .X° ±1° X° ±2°	

Title:	WR284 to N Female Adaptor, Freq 2.6-3.95 GHz
Part No:	DWCA284A1NFL



View:	
Size:	A3
Scale:	1:1.5
Sheet:	1/1
Rev:	A