

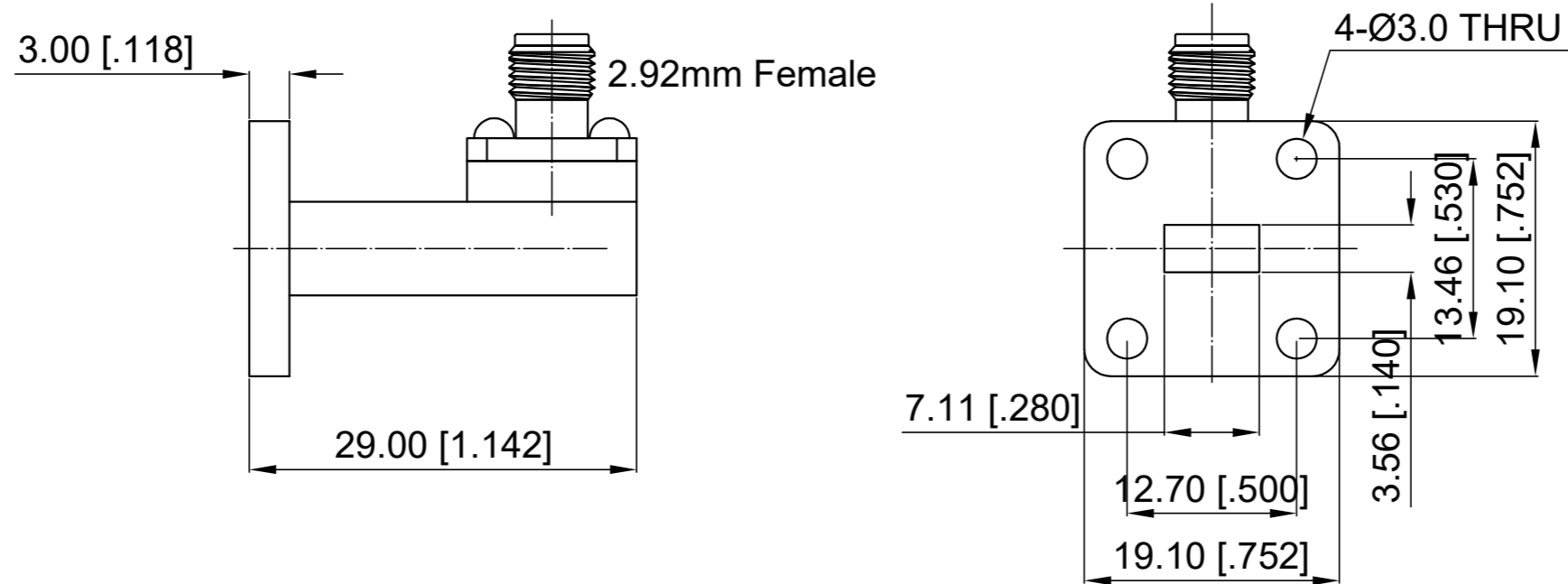
ELECTRICAL PERFORMANCE

Impedance: 50 Ohm
 Frequency Range: 26.5-40 GHz
 VSWR: 1.30 Max.

MATERIAL

Body: Brass

Revisions			
Rev	Description	Date	Approved:
A	Initial Release	2021.12.2	A. M
B	Outling Updated	2021.12.9	A. M



- NOTES:
1. ALL SPECIFICATIONS ARE SUBJECT TO CHANGE WITHOUT NOTICE AT ANY TIME
 2. CUSTOMER OUTLINE DRAWING FOR REFERENCE ONLY

Drawn:	W. Y 2021.12.9
Checked:	T. L 2021.12.9
Approved:	A. M 2021.12.9
Unless Otherwise Specified Dimensions are in Millimeters, Dimensions in [] are in Inches for Customer Reference Only. Unless Otherwise Specified Tolerance are: .XX ±0.13 [.005"] .X ±0.20 [.008"] X ±0.50 [.019"] .X° ±1° X° ±2°	

Title:	WR28 (UBR320) Right Angle to 2.92mm Female Adaptor, Freq 26.5-40 GHz
Part No:	DWCA28-292FL

DEEWAVE
www.deewave.com

View:

Size:	Scale:	Sheet:	Rev:
A3	2:1	1/1	B