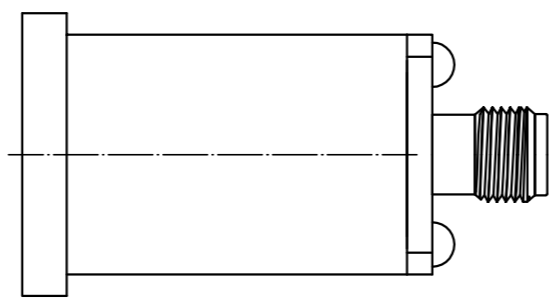
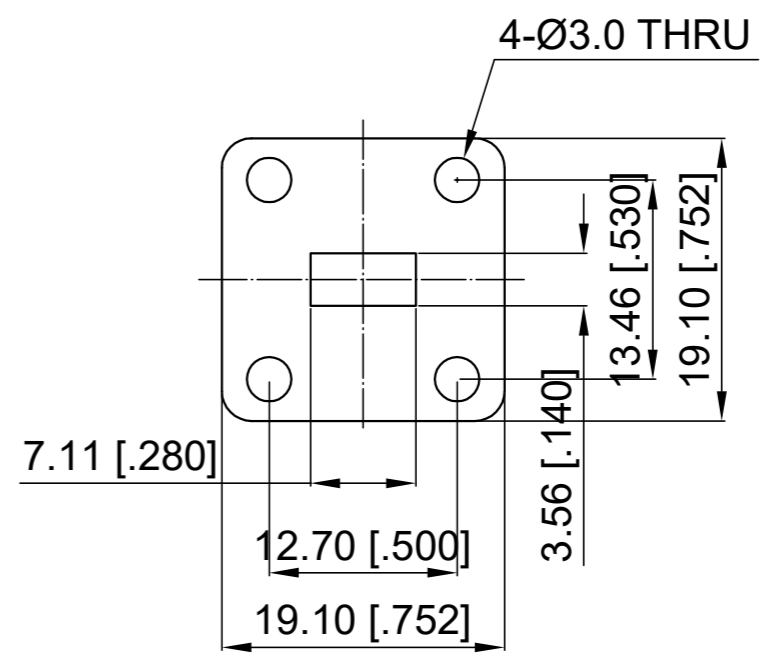
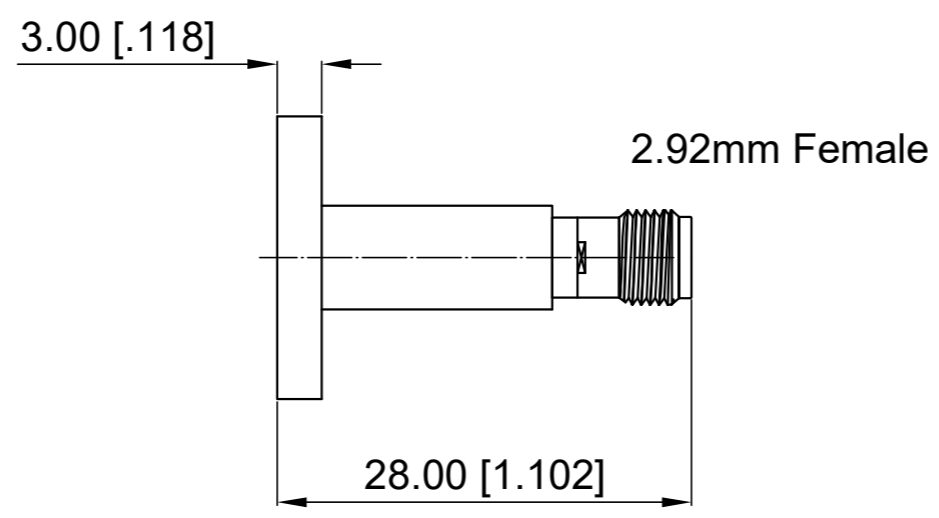


Revisions			
Rev	Description	Date	Approved:
A	Initial Release	2018.8.20	A. M

ELECTRICAL PERFORMANCE

Impedance: 50 Ohm
 Frequency Range: 26.5-30.5 GHz
 VSWR: 1.25 Max.



NOTES:

1. ALL SPECIFICATIONS ARE SUBJECT TO CHANGE WITHOUT NOTICE AT ANY TIME
2. CUSTOMER OUTLINE DRAWING FOR REFERENCE ONLY

Drawn:	W. Y 2018.8.20
Checked:	T. L 2018.8.20
Approved:	A. M 2018.8.20
Unless Otherwise Specified Dimensions are in Millimeters, Dimensions in [] are in Inches for Customer Reference Only. Unless Otherwise Specified Tolerance are: .XX ±0.13 [.005"] .X ±0.20 [.008"] X ±0.50 [.019"] .X° ±1° X° ±2°	

Title:	WR28 to 2.92mm Female Adaptor, 26.5-30.5 GHz
Part No:	DWCA28-292F-1

DEEWAVE
www.deewave.com

View:

Size: A3	Scale: 2:1	Sheet: 1/1	Rev: A
----------	------------	------------	--------