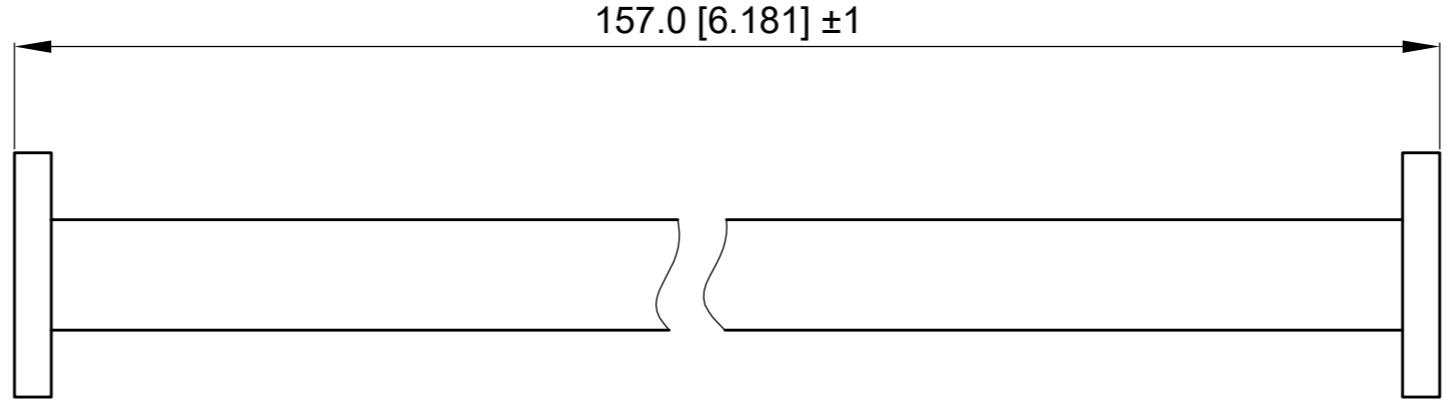


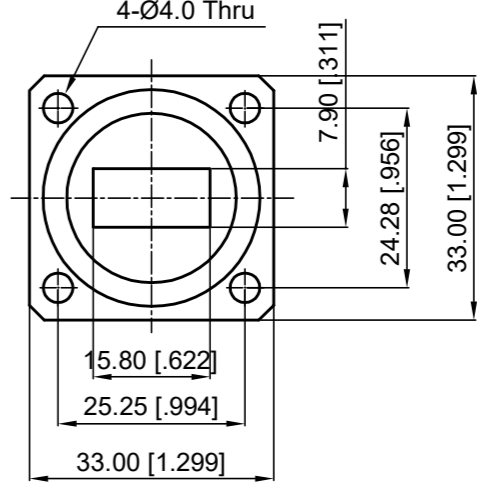
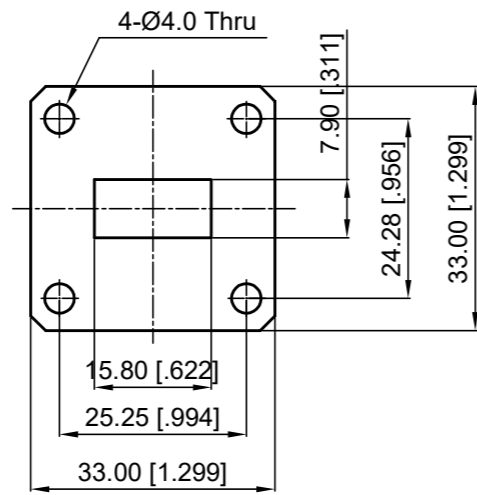
Revisions			
Rev	Description	Date	Approved:
A	Initial Release	2021.9.30	A. M

ELECTRICAL PERFORMANCE
 Frequency Range: 11.9-18 GHz
 VSWR: 1.05 max.
 Material: Aluminum



UBR140

PBR140



NOTES:
 1. ALL SPECIFICATIONS ARE SUBJECT TO CHANGE WITHOUT NOTICE AT ANY TIME
 2. CUSTOMER OUTLINE DRAWING FOR REFERENCE ONLY

Drawn:	W. Y 2021.9.30
Checked:	T. L 2021.9.30
Approved:	A. M 2021.9.30
Unless Otherwise Specified Dimensions are in Millimeters, Dimensions in [] are in Inches for Customer Reference Only. Unless Otherwise Specified Tolerance are: .XX ±0.13 [.005"] .X ±0.20 [.008"] X ±0.50 [.019"] .X° ±1° X° ±2°	

Title:	Straight Waveguide, WR62, PBR to UBR, Length 157mm
Part No:	



View:	
Size:	A3
Scale:	1:3
Sheet:	1/1
Rev:	A