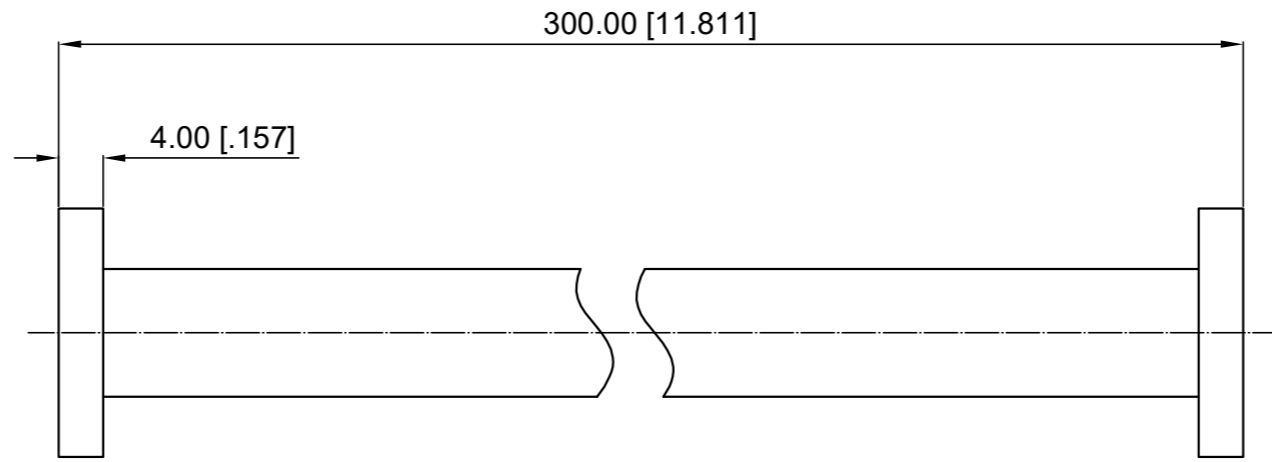


Revisions			
Rev	Description	Date	Approved:
A	Initial Release	2021.7.22	A. M

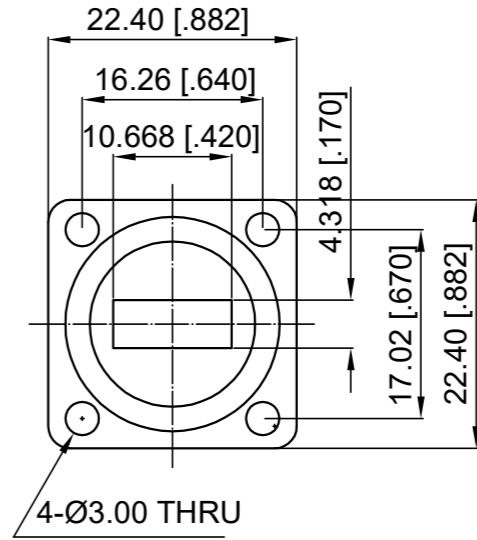
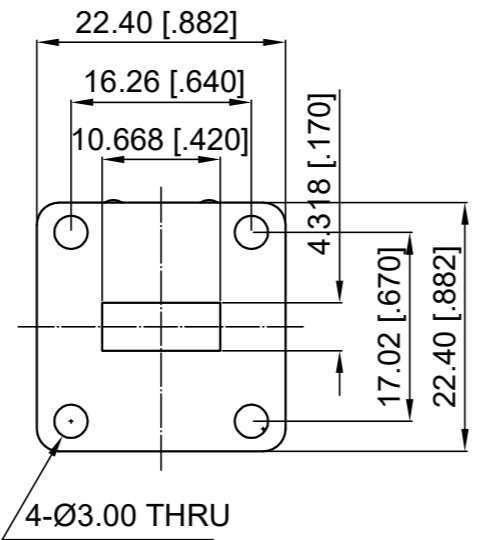
ELECTRICAL PERFORMANCE

1. Frequency Range: 19.2-21.2 GHz
2. VSWR: 1.10 max.
3. Insertion Loss: 0.5 dB max.
4. Material: Brass Plated Ag
5. Pait: Gray



UBR220

PBR220



NOTES:
 1. ALL SPECIFICATIONS ARE SUBJECT TO CHANGE WITHOUT NOTICE AT ANY TIME
 2. CUSTOMER OUTLINE DRAWING FOR REFERENCE ONLY

Drawn:	W. Y 2021.7.22
Checked:	T. L 2021.7.22
Approved:	A. M 2021.7.22
Unless Otherwise Specified Dimensions are in Millimeters, Dimensions in [] are in Inches for Customer Reference Only. Unless Otherwise Specified Tolerance are: .XX ±0.13 [.005"] .X ±0.20 [.008"] X ±0.50 [.019"] .X° ±1° X° ±2°	

Title:	Straight Waveguide, WR42, PBR to UBR, Length 300mm
Part No:	



View:	
Size:	A3
Scale:	1.5:1
Sheet:	1/1
Rev:	A