

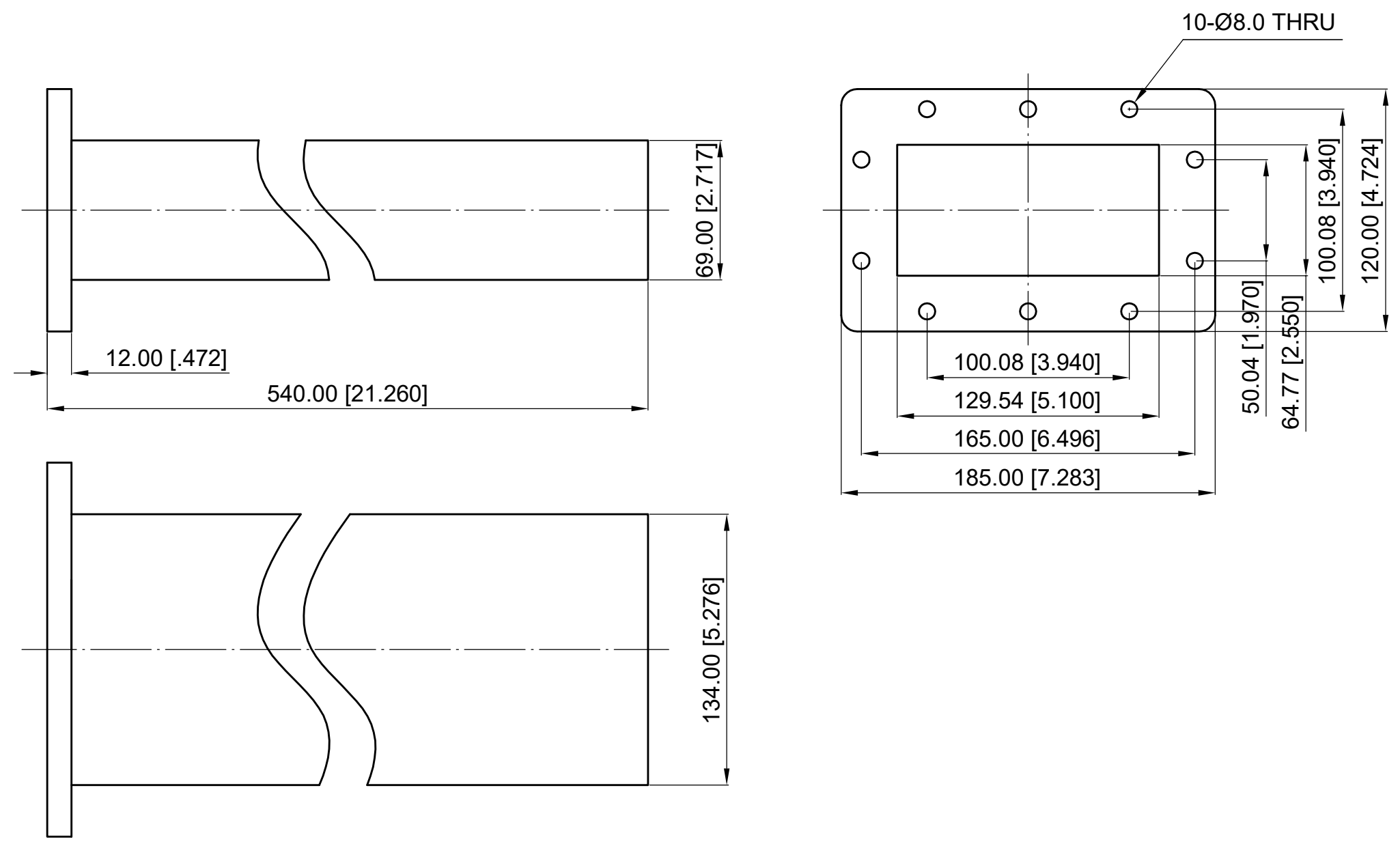
Revisions			
Rev	Description	Date	Approved:
A	Initial Release	2021.3.9	A. M

ELECTRICAL PERFORMANCE

1. Frequency Range: 1.45-2.2 GHz
2. VSWR: 1.03 max.
3. WG Type: WR510

MATERIAL

1. Body: Aluminium



NOTES:

1. ALL SPECIFICATIONS ARE SUBJECT TO CHANGE WITHOUT NOTICE AT ANY TIME
2. CUSTOMER OUTLINE DRAWING FOR REFERENCE ONLY

Drawn:	W. Y 2021.3.9
Checked:	T. L 2021.3.9
Approved:	A. M 2021.3.9
Unless Otherwise Specified Dimensions are in Millimeters, Dimensions in [] are in Inches for Customer Reference Only. Unless Otherwise Specified Tolerance are: .XX ±0.13 [.005"] .X ±0.20 [.008"] X ±0.50 [.019"] .X° ±1° X° ±2°	

Title:	WR510 Load
Part No:	DWL510T

DEEWAVE
www.deewave.com

View:

Size:	Scale:	Sheet:	Rev:
A3	1:2.5	1/1	A