

6

5

4

3

2

1

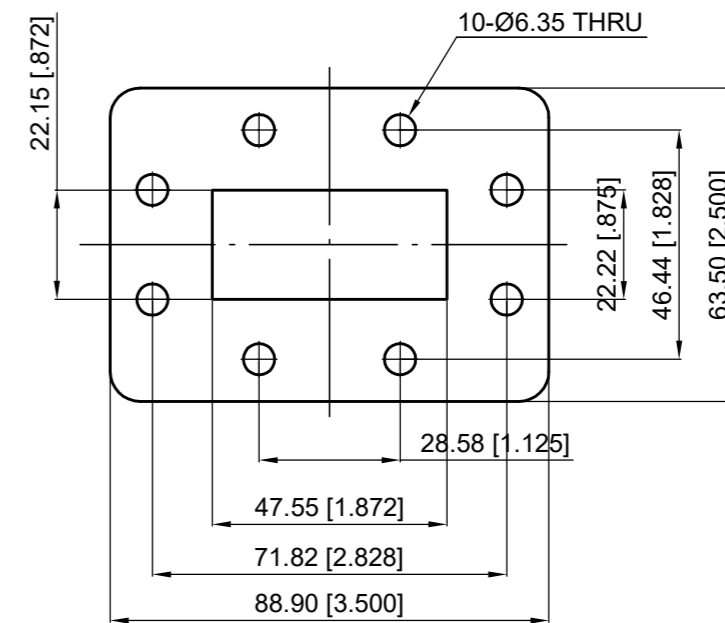
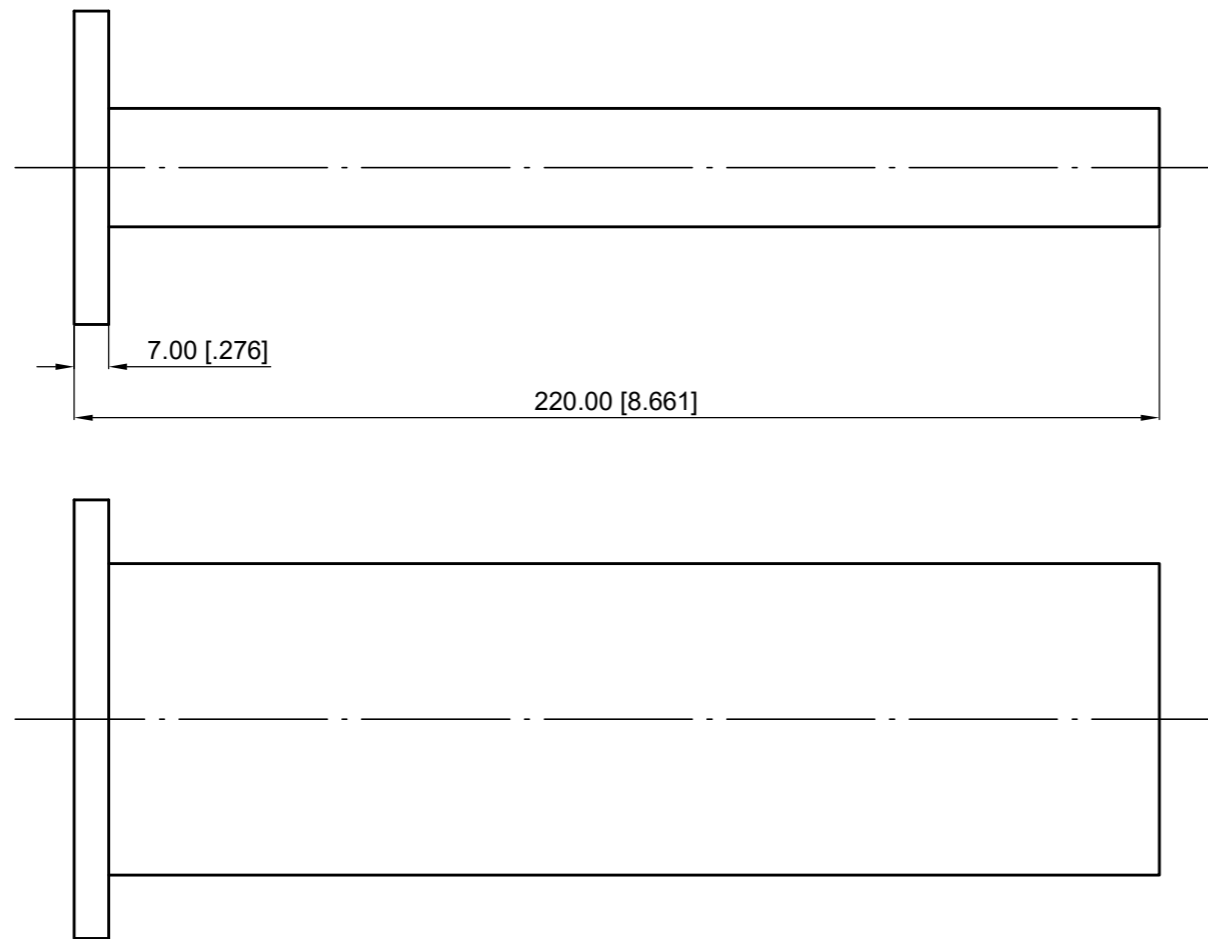
Revisions			
Rev	Description	Date	Approved:
A	Initial Release	2021.3.9	A. M

ELECTRICAL PERFORMANCE

1. Frequency Range: 3.94-5.99 GHz
2. VSWR: 1.03 max.
3. WG Type: WR187

MATERIAL

1. Body: Aluminium




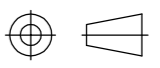
NOTES:

1. ALL SPECIFICATIONS ARE SUBJECT TO CHANGE WITHOUT NOTICE AT ANY TIME
2. CUSTOMER OUTLINE DRAWING FOR REFERENCE ONLY

Drawn:	W. Y 2021.3.9
Checked:	T. L 2021.3.9
Approved:	A. M 2021.3.9
Unless Otherwise Specified Dimensions are in Millimeters, Dimensions in [] are in Inches for Customer Reference Only. Unless Otherwise Specified Tolerance are: .XX ±0.13 [.005"] .X ±0.20 [.008"] X ±0.50 [.019"] .X° ±1° X° ±2°	

Title:	WR187 Load
Part No:	

DEEWAVE 
www.deewave.com

View: 

Size: A3	Scale: 1:1.5	Sheet: 1/1	Rev: A
----------	--------------	------------	--------

6

5

4

3

2

1