

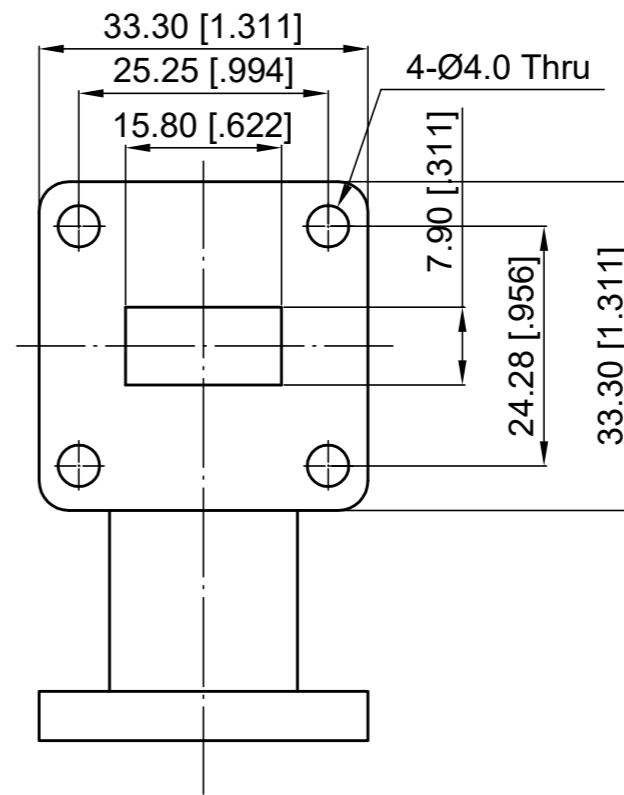
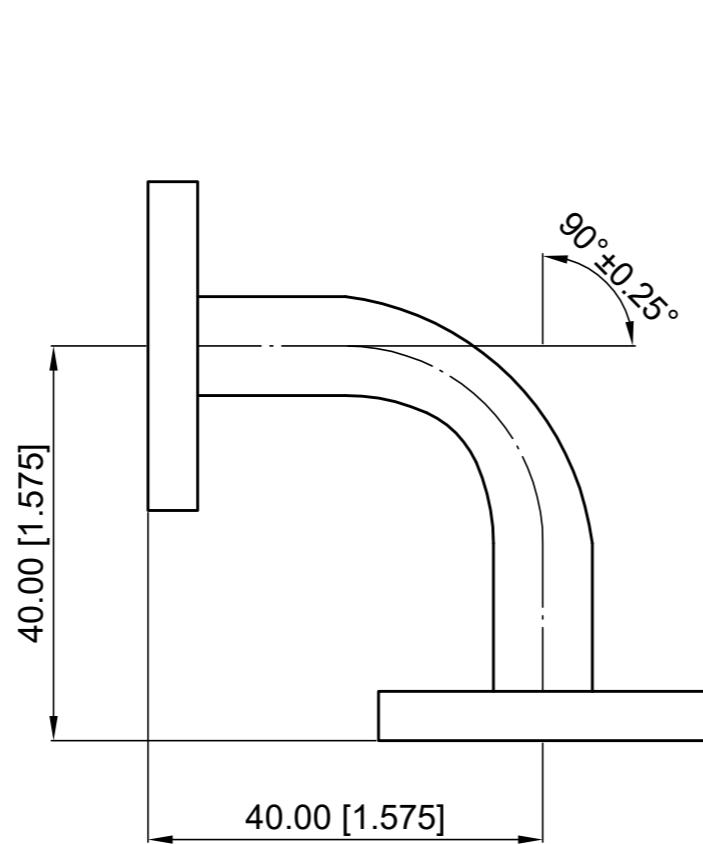
Revisions			
Rev	Description	Date	Approved:
A	Initial Release	2021.10.8	A. M

ELECTRICAL SPECIFICATIONS

- 1. Frequency Range: 11.9-18 GHz
- 2. VSWR: 1.10 max.

MATERIAL

- 1. Body: Alumium, Oxidized
- 2. Paint: Gray



NOTES:

- 1. ALL SPECIFICATIONS ARE SUBJECT TO CHANGE WITHOUT NOTICE AT ANY TIME
- 2. CUSTOMER OUTLINE DRAWING FOR REFERENCE ONLY

Drawn:	W. Y 2021.10.8
Checked:	T. L 2021.10.8
Approved:	A. M 2021.10.8
<small>Unless Otherwise Specified Dimensions are in Millimeters, Dimensions in [] are in Inches for Customer Reference Only. Unless Otherwise Specified Tolerance are: .XX ±0.13 [.005"] .X ±0.20 [.008"] X ±0.50 [.019"] .X° ±1° X° ±2°</small>	

Title:	W62 E-Plane Waveguide Bend, UBR to UBR
Part No:	DWB62B1E

DEEWAVE
www.deewave.com

View:

Size: A3	Scale: 1.5:1	Sheet: 1/1	Rev: A
----------	--------------	------------	--------