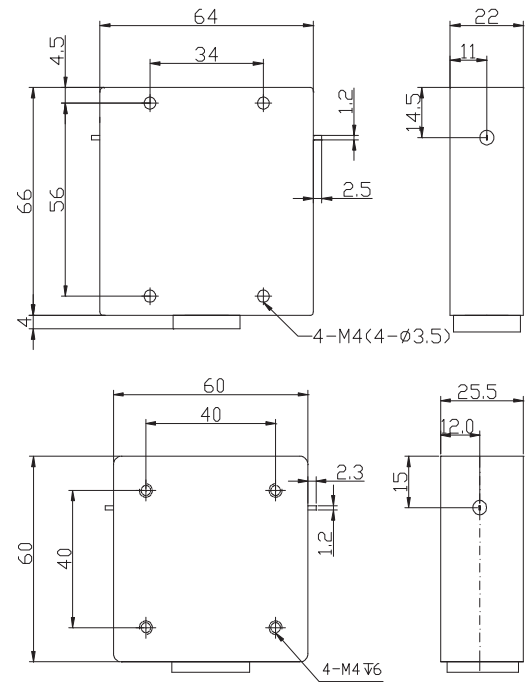


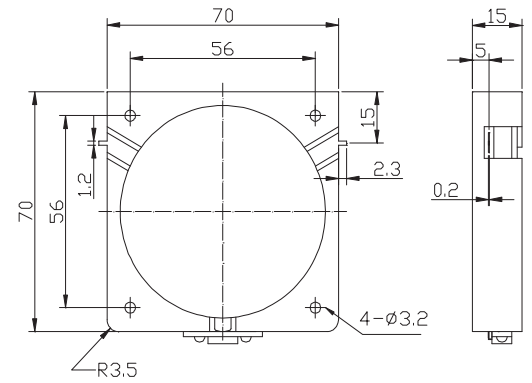
Frequency Range: 20-400 MHz
 Forward Power: 100W Max.
 Reverse Power: 100W Max. Selectable
 Dimension (mm): 64x66, 60x60

Freq. Range (MHz)	Bandwidth (MHz)	Insertion Loss (dB Max.)	Isolation (dB Min.)	VSWR (Max.)
20-30	Point	2.00	18.0	1.30
30-80	Point	1.20	20.0	1.25
	5	1.80	18.0	1.30
88-108	Full	0.60	20.0	1.25
100-140	Full	1.20	18.0	1.30
108-118	Full	0.50	20.0	1.20
116-138	Full	0.60	20.0	1.25
130-180	Full	0.60	20.0	1.25
136-174	Full	0.50	20.0	1.25
150-170	Full	0.40	20.0	1.20
170-230	Full	0.60	20.0	1.25
225-400	Full	0.80	18.0	1.30



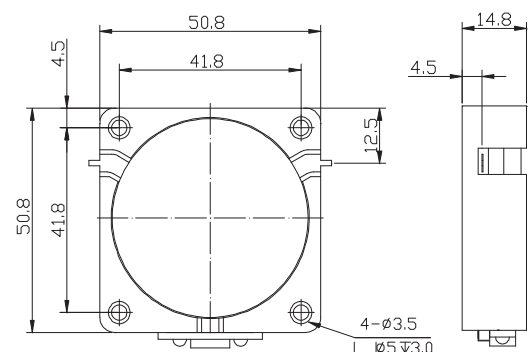
Frequency Range: 130-200 MHz
 Forward Power: 500W Max.
 Reverse Power: 100W Max. Selectable
 Dimension (mm): 70x70

Freq. Range (MHz)	Bandwidth (MHz)	Insertion Loss (dB Max.)	Isolation (dB Min.)	VSWR (Max.)
130-160	2	0.50	20.0	1.25
	5	0.60	18.0	1.30
150-180	Full	0.60	18.0	1.30
160-200	10	0.40	23.0	1.20
	30	0.50	20.0	1.25
160-190	Full	0.50	10.0	1.25



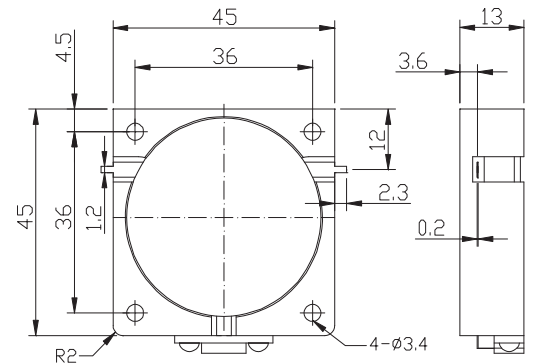
Frequency Range: 160-330 MHz
 Forward Power: 400W Max.
 Reverse Power: 100W Max. Selectable
 Dimension (mm): 50.8x50.8

Freq. Range (MHz)	Bandwidth (MHz)	Insertion Loss (dB Max.)	Isolation (dB Min.)	VSWR (Max.)
160-200	10	0.70	18.0	1.30
192-232	Full	0.60	18.0	1.30
200-220	Full	0.40	20.0	1.25
220-240	Full	0.40	20.0	1.25
260-330	10	0.20	23.0	1.20
	Full	0.40	20.0	1.25



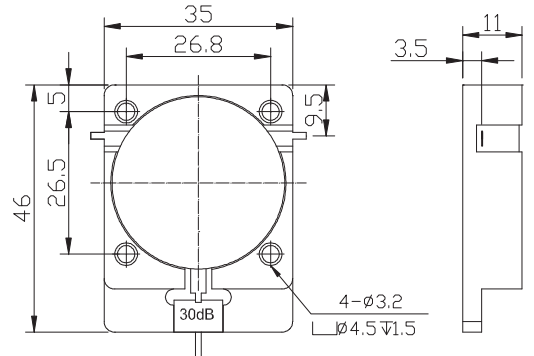
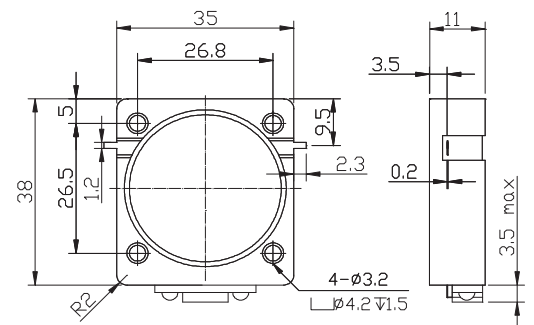
Frequency Range: 300-1100 MHz
 Forward Power: 400W Max.
 Reverse Power: 100W Max. Selectable
 Dimension (mm): 45x45

Freq. Range (MHz)	Bandwidth (MHz)	Insertion Loss (dB Max.)	Isolation (dB Min.)	VSWR (Max.)
300-420	20	0.30	23.0	1.20
	30	0.40	20.0	1.25
	Full	0.60	18.0	1.30
361-366	Full	0.20	30.0	1.15
400-470	Full	0.40	20.0	1.25
400-500	30	0.30	23.0	1.20
	Full	0.40	20.0	1.25
500-700	50	0.40	20.0	1.25
	150	0.50	18.0	1.30
700-900	Full	0.40	20.0	1.25
700-1000	Full	0.50	18.0	1.30
800-1000	Full	0.40	20.0	1.20
800-1100	Full	0.50	18.0	1.30



Frequency Range: 300-1850 MHz
 Forward Power: 300W Max.
 Reverse Power: 100W Max. Selectable
 Dimension (mm): 35x38, 35x46

Freq. Range (MHz)	Bandwidth (MHz)	Insertion Loss (dB Max.)	Isolation (dB Min.)	VSWR (Max.)
300-350	Full	0.70	18.0	1.35
300-400	20	0.40	20.0	1.25
350-370	Full	0.40	23.0	1.20
361-366	Full	0.40	23.0	1.20
400-470	Full	0.40	20.0	1.25
400-600	20	0.30	23.0	1.20
	50	0.40	20.0	1.25
470-570	Full	0.40	20.0	1.25
500-700	Full	0.70	18.0	1.30
600-800	30	0.25	25.0	1.15
	100	0.30	23.0	1.20
	Full	0.45	19.0	1.25
700-1000	30	0.25	25	1.15
	100	0.30	23.0	1.20
	200	0.50	18.0	1.30
950-1450	Full	0.60	18.0	1.30
960-1215	Full	0.30	21.0	1.20
960-1260	Full	0.45	20.0	1.25
1000-1500	Full	0.60	18.0	1.30
1020-1040	Full	0.25	25.0	1.15
1160-1610	Full	0.50	20.0	1.25
1290-1310	Full	0.25	25.0	1.15
1350-1850	Full	0.50	20.0	1.25



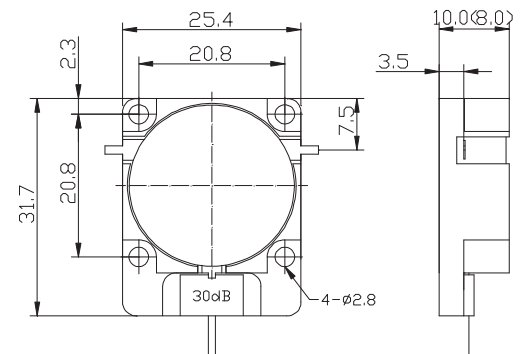
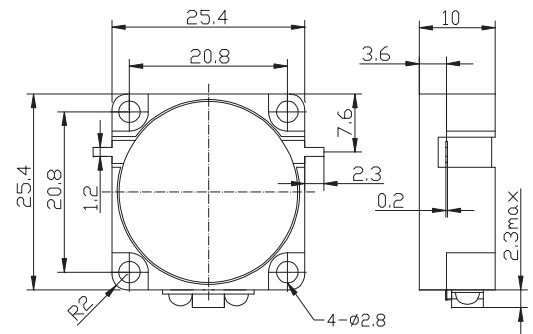
Frequency Range: 350-4000 MHz

Forward Power: 300W Max.

Reverse Power: 100W Max. Selectable

Dimension (mm): 25.4x25.4, 25.4x31.7

Freq. Range (MHz)	Bandwidth (MHz)	Insertion Loss (dB Max.)	Isolation (dB Min.)	VSWR (Max.)
350-400	20	0.50	20.0	1.25
400-800	20	0.40	23.0	1.25
	70	0.40	20.0	1.20
700-1300	30	0.25	25.0	1.15
	100	0.40	20.0	1.25
746-870	Full	0.40	20.0	1.20
869-894	Full	0.25	25.0	1.20
885-915	Full	0.25	25.0	1.20
850-960	Full	0.40	20.0	1.25
920-960	Full	0.25	25.0	1.20
960-1215	Full	0.40	20.0	1.25
1030-1090	Full	0.30	23.0	1.20
1300-3000	75	0.25	25.0	1.15
	100	0.30	23.0	1.20
	200	0.40	20.0	1.25
1300-1800	Full	0.40	16.0	1.40
1500-1700	Full	0.40	20.0	1.25
1700-1900	Full	0.40	20.0	1.25
1880-2650	Full	0.65	15.0	1.45
1900-2200	Full	0.40	20.0	1.25
2100-2700	Full	0.50	18.0	1.35
2300-2700	Full	0.40	20.0	1.25
2400-2500	Full	0.25	25.0	1.15
3000-4000	200	0.30	23.0	1.20
	400	0.40	20.0	1.25
3400-3600	Full	0.30	23.0	1.20
3600-3800	Full	0.30	23.0	1.20



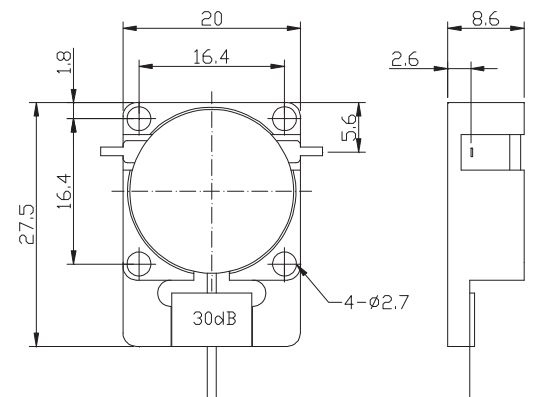
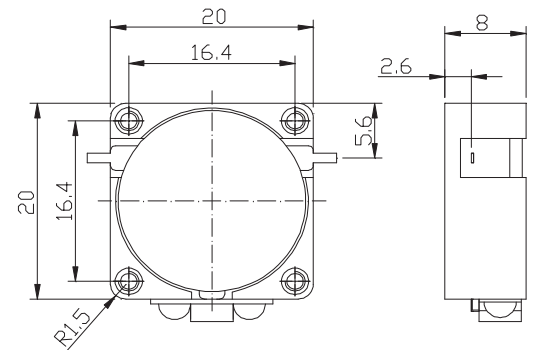
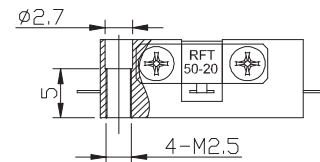
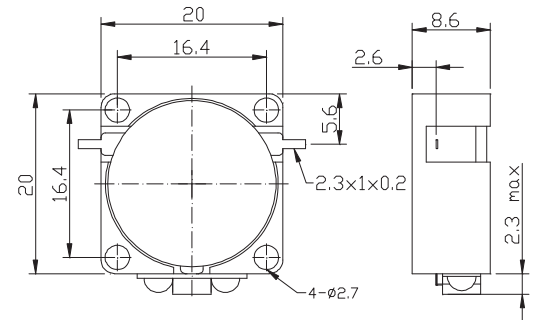
Frequency Range: 600-4300 MHz

Forward Power: 150W Max.

Reverse Power: 100W Max. Selectable

Dimension (mm): 20x20, 20x27.5

Freq. Range (MHz)	Bandwidth (MHz)	Insertion Loss (dB Max.)	Isolation (dB Min.)	VSWR (Max.)
600-800	20	0.40	23.0	1.20
	50	0.40	20.0	1.25
700-1300	30	0.25	25.0	1.15
	100	0.40	20.0	1.25
825-875	Full	0.40	20.0	1.20
869-894	Full	0.25	25.0	1.20
885-915	Full	0.25	25.0	1.20
850-960	Full	0.40	20.0	1.25
920-960	Full	0.25	25.0	1.20
1030-1090	Full	0.30	23.0	1.20
1300-3000	75	0.25	25.0	1.15
	100	0.30	23.0	1.20
	200	0.40	20.0	1.25
1500-1700	Full	0.40	20.0	1.25
1700-1900	Full	0.40	20.0	1.25
1900-2200	Full	0.40	20.0	1.25
2100-2700	Full	0.50	18.0	1.35
2300-2700	Full	0.40	20.0	1.25
2400-2500	Full	0.25	25.0	1.15
2500-2700	Full	0.30	23.0	1.20
3000-4000	200	0.30	23.0	1.20
	400	0.40	20.0	1.25
3200-3900	Full	0.40	20.0	1.25
3300-3600	Full	0.40	23.0	1.20
3400-4300	Full	0.50	20.0	1.25
3600-3800	Full	0.30	23.0	1.20



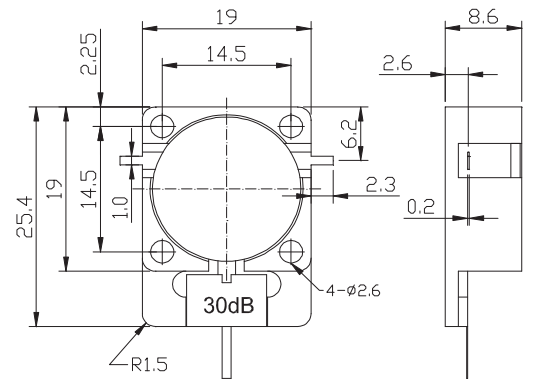
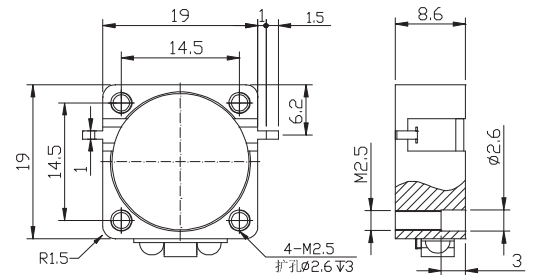
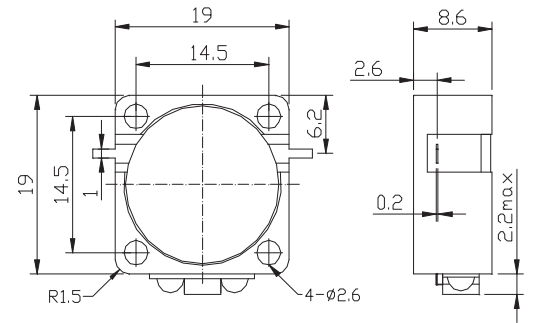
Frequency Range: 800-4300 MHz

Forward Power: 100W Max.

Reverse Power: 100W Max. Selectable

Dimension (mm): 19x19, 19x25.4

Freq. Range (MHz)	Bandwidth (MHz)	Insertion Loss (dB Max.)	Isolation (dB Min.)	VSWR (Max.)
800-1000	20	0.40	20.0	1.25
865-880	Full	0.40	20.0	1.25
925-960	Full	0.40	20.0	1.25
1000-1700	60	0.30	23.0	1.20
	200	0.40	20.0	1.25
1030-1090	Full	0.30	23.0	1.20
1000-1200	Full	0.40	20.0	1.25
1100-1300	Full	0.40	20.0	1.25
1325-1375	Full	0.30	23.0	1.20
1500-1700	Full	0.40	20.0	1.20
1700-3000	75	0.30	23.0	1.20
	200	0.40	20.0	1.25
1700-1900	Full	0.40	20.0	1.25
1710-1785	Full	0.30	23.0	1.20
1805-1880	Full	0.30	23.0	1.20
1920-1980	Full	0.30	23.0	1.20
2000-2200	Full	0.30	23.0	1.20
2110-2170	Full	0.30	23.0	1.20
2100-2700	Full	0.50	18.0	1.35
2200-2400	Full	0.30	23.0	1.20
2300-2500	Full	0.30	23.0	1.20
2300-2700	Full	0.40	20.0	1.25
2700-3100	Full	0.40	20.0	1.25
3100-3400	Full	0.40	20.0	1.25
3400-3600	Full	0.30	23.0	1.20
3400-4300	Full	0.50	20.0	1.25



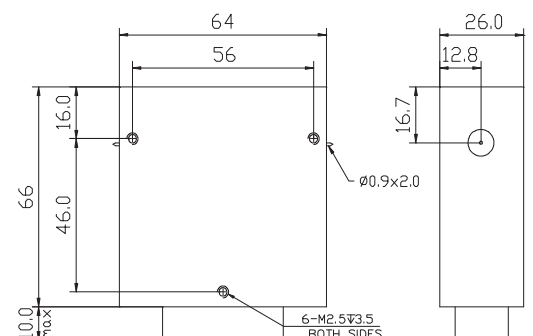
Frequency Range: 950-2000 MHz

Forward Power: 200W Max.

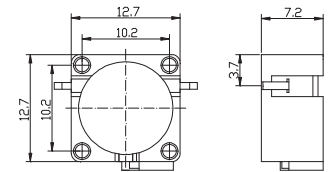
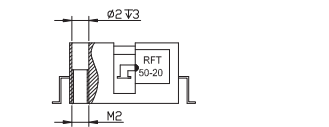
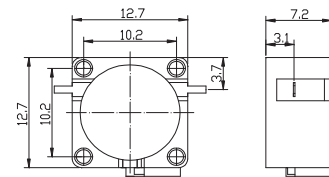
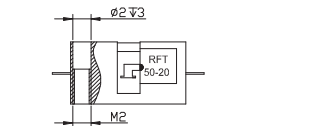
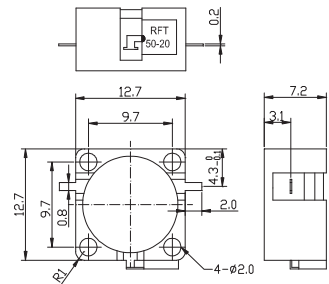
Reverse Power: 100W Max. Selectable

Dimension (mm): 64x66

Freq. Range (MHz)	Bandwidth (MHz)	Insertion Loss (dB Max.)	Isolation (dB Min.)	VSWR (Max.)
950-2000	Full	0.65	16.0	1.40
1000-2000	Full	0.60	17.0	1.40



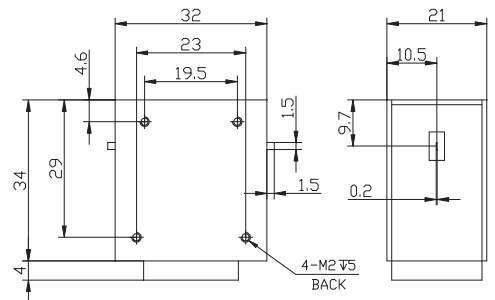
Frequency Range: 1700-6000 MHz
 Forward Power: 60W Max.
 Reverse Power: 20W Max. Selectable
 Dimension (mm): 12.7x12.7



Freq. Range (MHz)	Bandwidth (MHz)	Insertion Loss (dB Max.)	Isolation (dB Min.)	VSWR (Max.)
1710-1785	Full	0.30	23.0	1.20
1805-1880	Full	0.30	23.0	1.20
1805-1920	Full	0.40	20.0	1.25
1880-1920	Full	0.30	23.0	1.20
2110-2170	Full	0.30	23.0	1.20
2300-2400	Full	0.30	23.0	1.20
2400-2500	Full	0.30	23.0	1.20
2500-2700	Full	0.30	23.0	1.20
2700-2900	Full	0.30	23.0	1.20
2900-3100	Full	0.30	23.0	1.20
3000-5000	200	0.35	20.0	1.25
3250-3450	Full	0.35	20.0	1.25
3300-3500	Full	0.35	20.0	1.25
3500-3650	Full	0.35	20.0	1.25
5100-5900	Full	0.45	18.0	1.30
5700-5900	Full	0.40	20.0	1.25

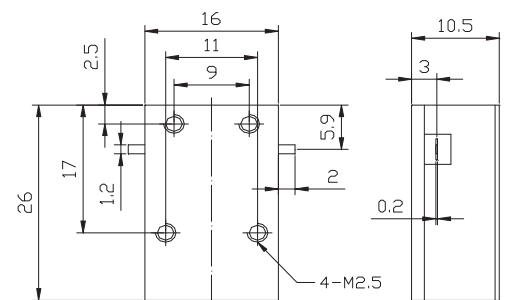
Frequency Range: 2-4 GHz
 Forward Power: 100W Max.
 Reverse Power: 100W Max. Selectable
 Dimension (mm): 32x34

Freq. Range (GHz)	Bandwidth (MHz)	Insertion Loss (dB Max.)	Isolation (dB Min.)	VSWR (Max.)
2.0-4.0	Full	0.60	18.0	1.30



Frequency Range: 3.7-6.5 GHz
 Forward Power: 100W Max.
 Reverse Power: 10W Max. Selectable
 Dimension (mm): 16x26

Freq. Range (GHz)	Bandwidth (MHz)	Insertion Loss (dB Max.)	Isolation (dB Min.)	VSWR (Max.)
3.7-4.2	Full	0.40	20.0	1.25
3.5-6.5	300	0.30	23.0	1.20
	600	0.40	20.0	1.25
4.0-5.0	Full	0.50	18.0	1.30



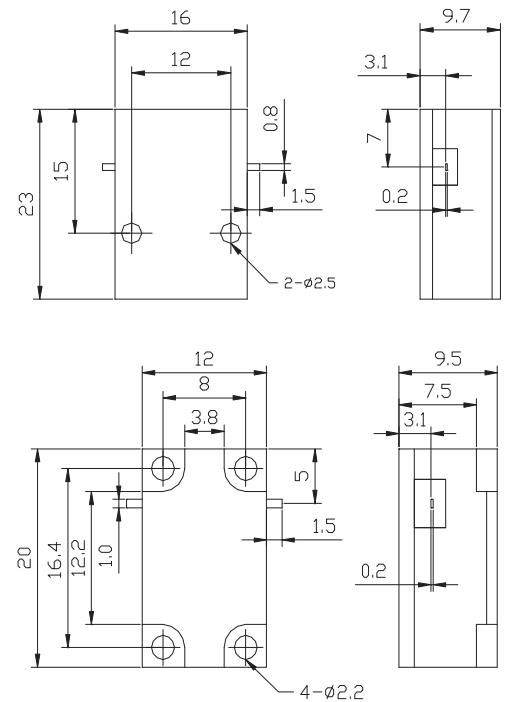
Frequency Range: 5.0-7.0 GHz

Forward Power: 80W Max.

Reverse Power: 10W Max. Selectable

Dimension (mm): 16x23, 12x 20

Freq. Range (GHz)	Bandwidth (MHz)	Insertion Loss (dB Max.)	Isolation (dB Min.)	VSWR (Max.)
5.10-5.90	Full	0.50	18.0	1.30
5.15-5.50	Full	0.40	20.0	1.25
5.23-5.34	Full	0.30	23.0	1.20
5.40-5.90	Full	0.40	20.0	1.25
5.70-5.90	Full	0.30	23.0	1.20
5.78-6.00	Full	0.30	23.0	1.25
5.80-6.50	Full	0.40	20.0	1.25
6.50-7.00	Full	0.40	20.0	1.25



Frequency Range: 7.0-18.0 GHz

Forward Power: 30W Max.

Reverse Power: 10W Max. Selectable

Dimension (mm): 8.9x15

Freq. Range (GHz)	Bandwidth (MHz)	Insertion Loss (dB Max.)	Isolation (dB Min.)	VSWR (Max.)
7.0-9.0	full	0.50	18.0	1.30
7.7-8.1	full	0.40	20.0	1.25
8.0-10.0	full	0.40	18.0	1.30
8.0-12.0	full	0.60	17.0	1.35
8.3-8.5	full	0.30	23.0	1.20
8.9-9.6	full	0.40	20.0	1.25
9.2-9.5	full	0.30	23.0	1.20
9.5-10.5	full	0.40	20.0	1.25
10.5-12.5	full	0.40	20.0	1.20
11.0-14.0	full	0.60	18.0	1.35
12.0-18.0	full	0.60	17.0	1.35
13.7-14.5	full	0.40	20.0	1.20
15.0-15.4	full	0.35	23.0	1.20
15.7-16.0	full	0.40	20.0	1.20

