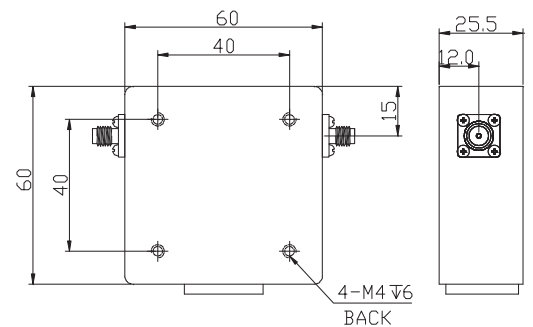
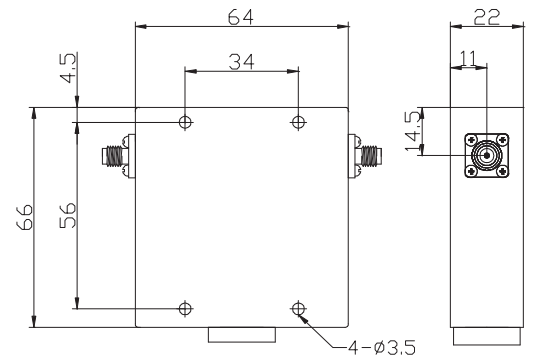


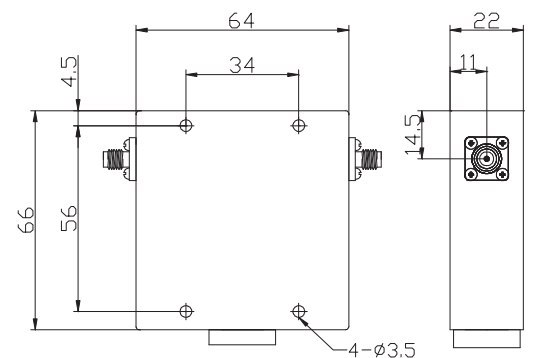
Frequency Range: 20-400 MHz
 Forward Power: 100W Max.
 Reverse Power: 100W Max. Selectable
 Dimension (mm): 64x66, 60x60

Freq. Range (MHz)	Bandwidth (MHz)	Insertion Loss (dB Max.)	Isolation (dB Min.)	VSWR (Max.)
20-30	Point	2.00	18.0	1.30
30-80	Point	1.20	20.0	1.25
	5	1.80	18.0	1.30
88-108	Full	0.60	20.0	1.25
100-140	Full	1.20	18.0	1.30
108-118	Full	0.50	20.0	1.20
116-138	Full	0.60	20.0	1.25
130-180	Full	0.60	20.0	1.25
136-174	Full	0.50	20.0	1.25
150-170	Full	0.40	20.0	1.20
170-230	Full	0.60	20.0	1.25
225-400	Full	0.80	18.0	1.30



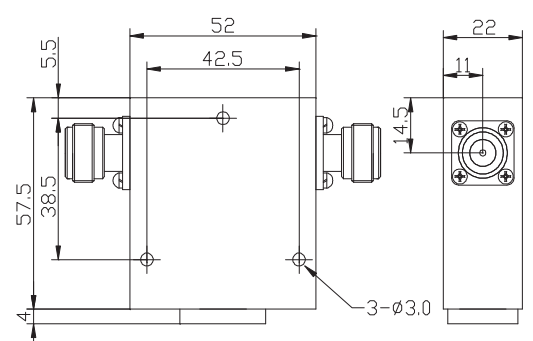
Frequency Range: 130-200 MHz
 Forward Power: 500W Max.
 Reverse Power: 100W Max. Selectable
 Dimension (mm): 70x70

Freq. Range (MHz)	Bandwidth (MHz)	Insertion Loss (dB Max.)	Isolation (dB Min.)	VSWR (Max.)
130-160	2	0.50	20.0	1.25
	5	0.60	18.0	1.30
150-180	Full	0.60	18.0	1.30
160-200	10	0.40	23.0	1.20
	30	0.50	20.0	1.25
160-190	Full	0.50	10.0	1.25



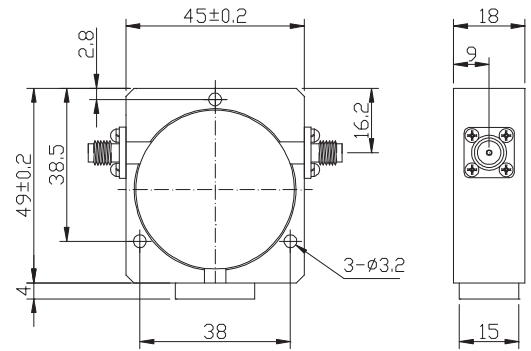
Frequency Range: 160-330 MHz
 Forward Power: 400W Max.
 Reverse Power: 100W Max. Selectable
 Dimension (mm): 50.8x50.8

Freq. Range (MHz)	Bandwidth (MHz)	Insertion Loss (dB Max.)	Isolation (dB Min.)	VSWR (Max.)
160-200	10	0.70	18.0	1.30
192-232	Full	0.60	18.0	1.30
200-220	Full	0.40	20.0	1.25
220-240	Full	0.40	20.0	1.25
260-330	10	0.20	23.0	1.20
	Full	0.40	20.0	1.25



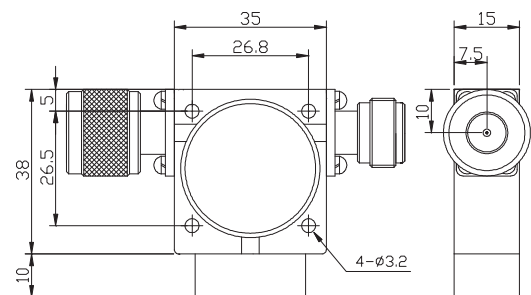
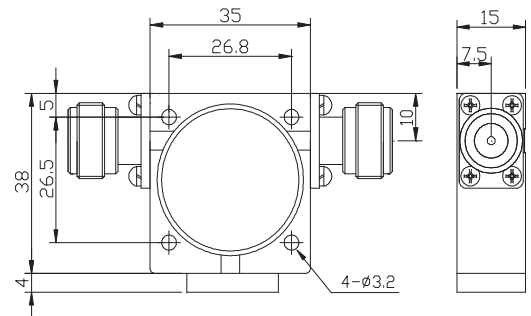
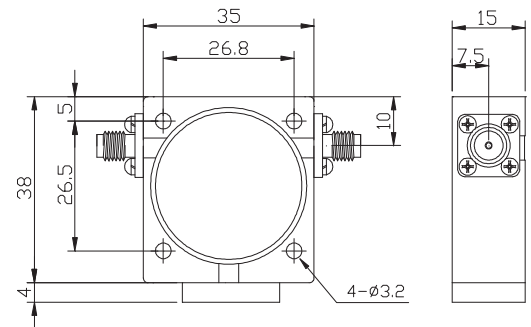
Frequency Range: 300-1100 MHz
 Forward Power: 400W Max.
 Reverse Power: 100W Max. Selectable
 Dimension (mm): 45x45

Freq. Range (MHz)	Bandwidth (MHz)	Insertion Loss (dB Max.)	Isolation (dB Min.)	VSWR (Max.)
300-420	20	0.30	23.0	1.20
	30	0.40	20.0	1.25
	Full	0.60	18.0	1.30
361-366	Full	0.20	30.0	1.15
400-470	Full	0.40	20.0	1.25
400-500	30	0.30	23.0	1.20
	Full	0.40	20.0	1.25
500-700	50	0.40	20.0	1.25
	150	0.50	18.0	1.30
700-900	Full	0.40	20.0	1.25
700-1000	Full	0.50	18.0	1.30
800-1000	Full	0.40	20.0	1.20
800-1100	Full	0.50	18.0	1.30



Frequency Range: 300-1850 MHz
 Forward Power: 300W Max.
 Reverse Power: 100W Max. Selectable
 Dimension (mm): 35x38

Freq. Range (MHz)	Bandwidth (MHz)	Insertion Loss (dB Max.)	Isolation (dB Min.)	VSWR (Max.)
300-350	Full	0.70	18.0	1.35
300-400	20	0.40	20.0	1.25
350-370	Full	0.40	23.0	1.20
361-366	Full	0.40	23.0	1.20
400-470	Full	0.40	20.0	1.25
400-600	20	0.30	23.0	1.20
	50	0.40	20.0	1.25
470-570	Full	0.40	20.0	1.25
500-700	Full	0.70	18.0	1.30
600-800	30	0.25	25.0	1.15
	100	0.30	23.0	1.20
	Full	0.45	19.0	1.25
700-1000	30	0.25	25.0	1.15
	100	0.30	23.0	1.20
	200	0.50	18.0	1.30
950-1450	Full	0.60	18.0	1.30
960-1215	Full	0.30	21.0	1.20
960-1260	Full	0.45	20.0	1.25
1000-1500	Full	0.60	18.0	1.30
1020-1040	Full	0.25	25.0	1.15
1160-1610	Full	0.50	20.0	1.25
1290-1310	Full	0.25	25.0	1.15
1350-1850	Full	0.50	20.0	1.25



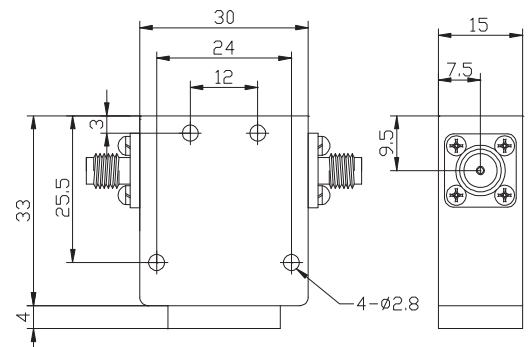
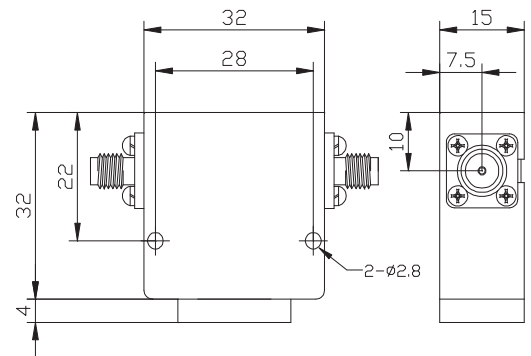
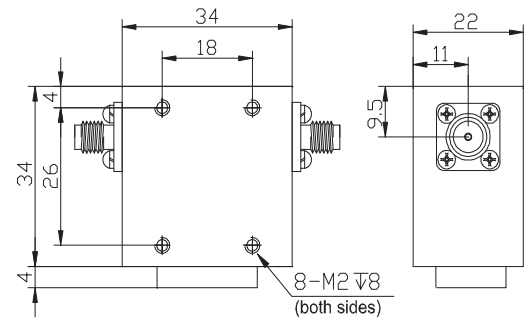
Frequency Range: 700-3000 MHz

Forward Power: 200W Max.

Reverse Power: 100W Max. Selectable

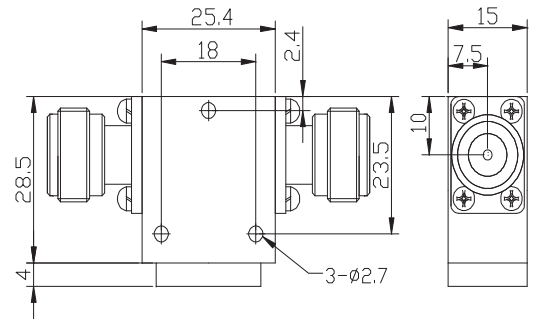
Dimension (mm): 34x34, 32x32, 30x33

Freq. Range (MHz)	Bandwidth (MHz)	Insertion Loss (dB Max.)	Isolation (dB Min.)	VSWR (Max.)
700-1300	100	0.30	23.0	1.20
	200	0.40	20.0	1.25
	Full	0.60	18.0	1.30
700-900	Full	0.40	20.0	1.25
800-1000	Full	0.40	20.0	1.25
890-960	Full	0.25	25.0	1.15
950-1450	Full	0.60	15.0	1.45
960-1215	Full	0.30	21.0	1.20
960-1260	Full	0.45	20.0	1.25
1030-1090	Full	0.25	25.0	1.15
1290-1310	Full	0.25	25.0	1.15
1300-3000	200	0.30	23.0	1.20
	300	0.45	18.0	1.30
1350-1850	Full	0.60	15.0	1.45
1400-1700	Full	0.45	20.0	1.25
1700-2300	Full	0.50	20.0	1.25
1900-2200	Full	0.40	20.0	1.25
2100-2700	Full	0.50	18.0	1.35
2200-2400	Full	0.30	23.0	1.20
2300-2700	Full	0.40	20.0	1.25
2500-2700	Full	0.30	23.0	1.20
2700-2900	Full	0.30	23.0	1.20
2800-3000	Full	0.30	23.0	1.20



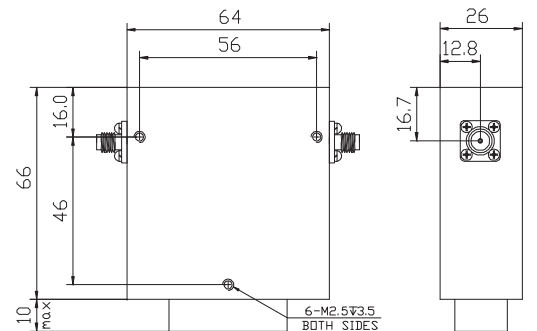
Frequency Range: 800-4000 MHz
 Forward Power: 200W Max.
 Reverse Power: 100W Max. Selectable
 Dimension (mm): 25.4x28.5

Freq. Range (MHz)	Bandwidth (MHz)	Insertion Loss (dB Max.)	Isolation (dB Min.)	VSWR (Max.)
800-1300	70	0.30	23.0	1.20
820-880	Full	0.30	23.0	1.20
920-960	Full	0.30	23.0	1.20
1200-1400	Full	0.30	23.0	1.20
1300-4000	100	0.30	23.0	1.20
1700-1900	Full	0.40	20.0	1.25
1900-2200	Full	0.40	20.0	1.25
2200-2500	Full	0.35	20.0	1.20
2500-2700	Full	0.30	23.0	1.20
2700-3100	Full	0.30	20.0	1.25
3100-3400	Full	0.30	20.0	1.20
3400-3600	Full	0.30	20.0	1.20
3600-4000	Full	0.30	20.0	1.25



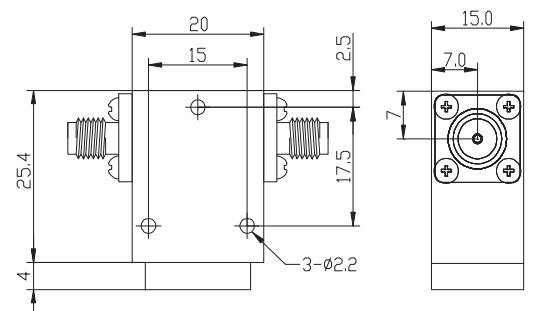
Frequency Range: 950-2000 MHz
 Forward Power: 100W Max.
 Reverse Power: 100W Max. Selectable
 Dimension (mm): 64x66

Freq. Range (MHz)	Bandwidth (MHz)	Insertion Loss (dB Max.)	Isolation (dB Min.)	VSWR (Max.)
950-2000	Full	0.65	16.0	1.40
1000-2000	Full	0.60	17.0	1.40



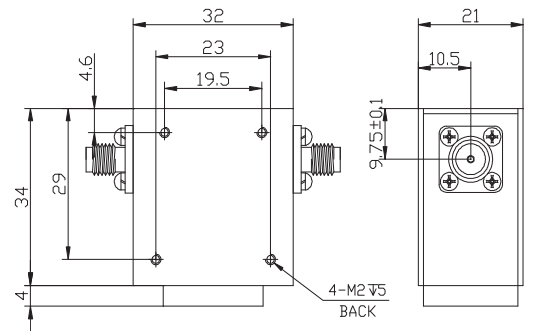
Frequency Range: 1300-4000 MHz
 Forward Power: 100W Max.
 Reverse Power: 20W Max. Selectable
 Dimension (mm): 20x25.4

Freq. Range (MHz)	Bandwidth (MHz)	Insertion Loss (dB Max.)	Isolation (dB Min.)	VSWR (Max.)
1300-4000	100	0.30	23.0	1.20
1700-1900	Full	0.40	20.0	1.25
1900-2200	Full	0.40	20.0	1.25
2400-2500	Full	0.25	25.0	1.15
2500-2700	Full	0.30	23.0	1.20
2700-3100	Full	0.30	20.0	1.25
3100-3400	Full	0.30	20.0	1.20
3400-3600	Full	0.30	20.0	1.20
3600-4000	Full	0.30	20.0	1.25



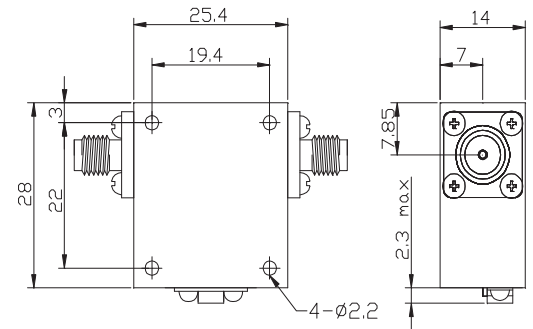
Frequency Range: 2.0-4.0 GHz
 Forward Power: 100W Max.
 Reverse Power: 20W Max. Selectable
 Dimension (mm): 32x34

Freq. Range (GHz)	Bandwidth (MHz)	Insertion Loss (dB Max.)	Isolation (dB Min.)	VSWR (Max.)
2.0-4.0	Full	0.60	18.0	1.30



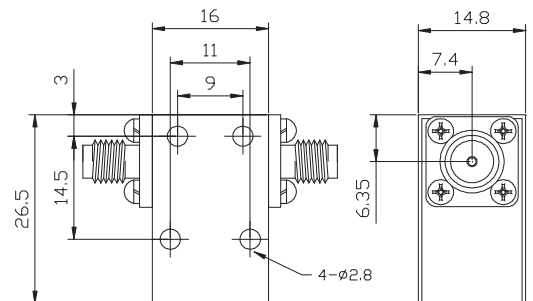
Frequency Range: 2.7-6.2 GHz
 Forward Power: 200W Max.
 Reverse Power: 20W Max. Selectable
 Dimension (mm): 25.4x28

Freq. Range (GHz)	Bandwidth (MHz)	Insertion Loss (dB Max.)	Isolation (dB Min.)	VSWR (Max.)
2.7-6.2	Full	0.80	16.0	1.40
3.0-6.0	Full	0.60	18.0	1.35



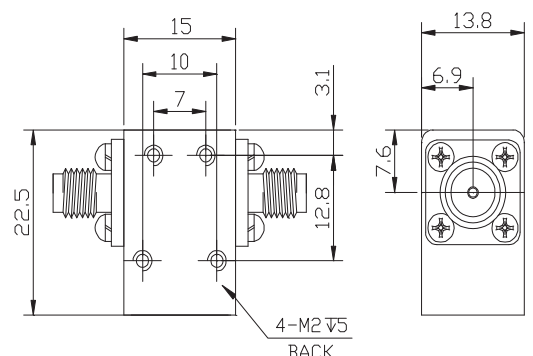
Frequency Range: 3.7-5.0 GHz
 Forward Power: 60W Max.
 Reverse Power: 10W Max. Selectable
 Dimension (mm): 16x26.5

Freq. Range (GHz)	Bandwidth (MHz)	Insertion Loss (dB Max.)	Isolation (dB Min.)	VSWR (Max.)
3.7-4.2	Full	0.40	20.0	1.25
4.0-5.0	Full	0.40	20.0	1.25



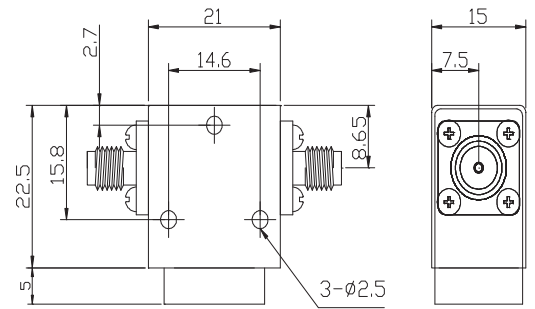
Frequency Range: 3.6-7.2 GHz
 Forward Power: 60W Max.
 Reverse Power: 10W Max. Selectable
 Dimension (mm): 15x22.5

Freq. Range (GHz)	Bandwidth (MHz)	Insertion Loss (dB Max.)	Isolation (dB Min.)	VSWR (Max.)
3.6-4.2	Full	0.50	18.0	1.30
4.0-5.0	Full	0.50	18.0	1.30
4.5-5.5	Full	0.40	20.0	1.25
5.0-6.0	Full	0.40	20.0	1.25
5.7-5.9	Full	0.40	20.0	1.25
5.8-7.2	Full	0.50	18.0	1.35



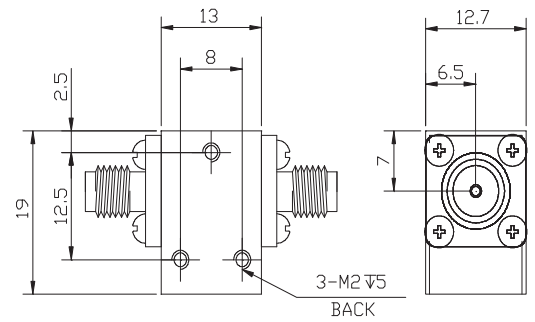
Frequency Range: 4.0-8.0 GHz
 Forward Power: 60W Max.
 Reverse Power: 20W Max. Selectable
 Dimension (mm): 21x22.5

Freq. Range (GHz)	Bandwidth (MHz)	Insertion Loss (dB Max.)	Isolation (dB Min.)	VSWR (Max.)
4.0-8.0	Full	0.60	18.0	1.35



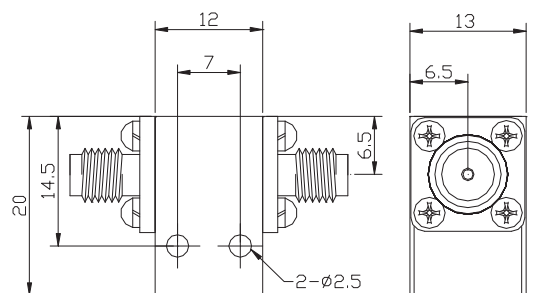
Frequency Range: 7-13 GHz
 Forward Power: 30W Max.
 Reverse Power: 10W Max. Selectable
 Dimension (mm): 13x19

Freq. Range (GHz)	Bandwidth (MHz)	Insertion Loss (dB Max.)	Isolation (dB Min.)	VSWR (Max.)
7.0-9.0	Full	0.50	18.0	1.30
8.0-12.0	Full	0.50	18.0	1.30
9.0-10.2	Full	0.40	20.0	1.25
10.0-11.0	Full	0.30	23.0	1.20
10.7-12.7	Full	0.40	20.0	1.20



Frequency Range: 9-16.5 GHz
 Forward Power: 30W Max.
 Reverse Power: 10W Max. Selectable
 Dimension (mm): 12x20

Freq. Range (GHz)	Bandwidth (MHz)	Insertion Loss (dB Max.)	Isolation (dB Min.)	VSWR (Max.)
9.3-9.5	Full	0.30	23.0	1.25
10.5-12.5	Full	0.40	20.0	1.25
10.7-12.8	Full	0.40	20.0	1.25
12.7-14.9	Full	0.50	19.0	1.30
14.5-16.5	Full	0.40	20.0	1.25



Frequency Range: 8.0-18.0 GHz
 Forward Power: 30W Max.
 Reverse Power: 10W Max. Selectable
 Dimension (mm): 16x21.5

Freq. Range (GHz)	Bandwidth (MHz)	Insertion Loss (dB Max.)	Isolation (dB Min.)	VSWR (Max.)
8.0-18.0	Full	1.40	12.0	1.60

