

ELECTRICAL PERFORMANCE

Frequency Range: 10-15 GHz

VSWR: 1.15 max.

Insertion Loss: 0.35 dB max.

Min. Bend Radius: 64mm/E 115mm/H

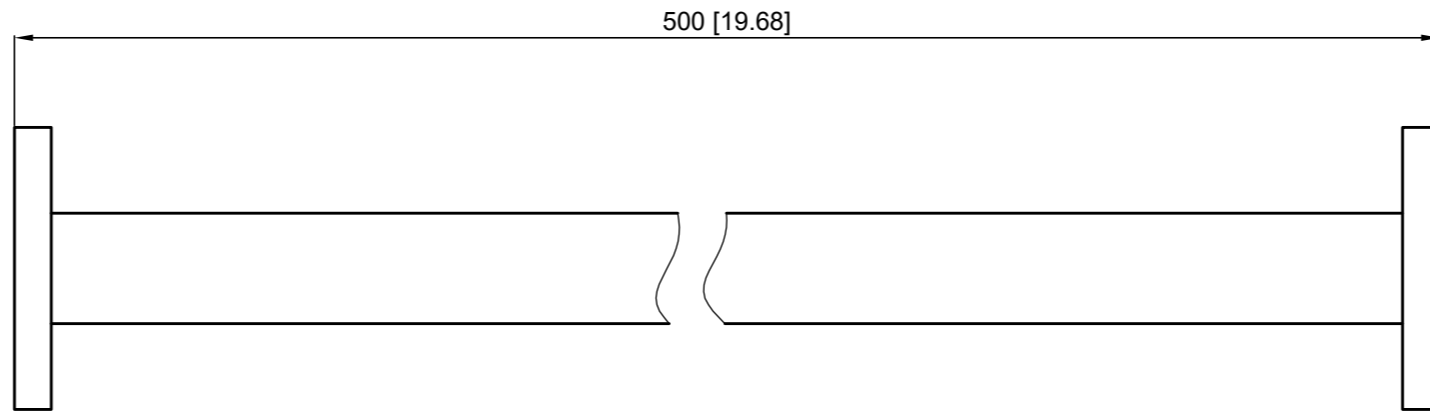
Max. Torsion Angle: 330°/m

Flange Material: Nickel-plated Brass

Material of Waveguide Core: Silver-plated Brass

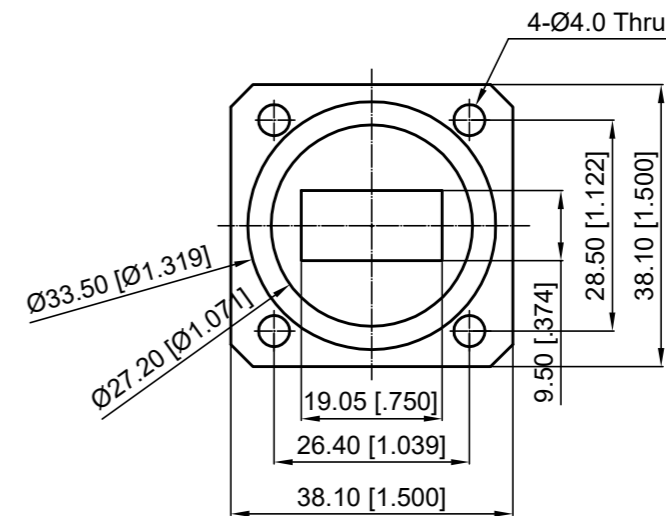
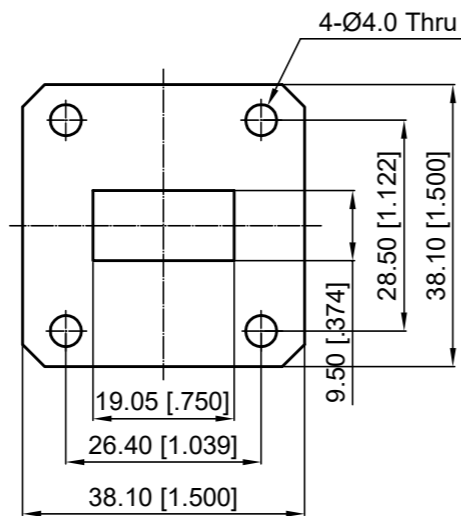
Jacket Material: Vulcanized Silicone Rubber

Revisions			
Rev	Description	Date	Approved:
A	Initial Release	2020.12.24	A. M



UBR120

PBR120



NOTES:

- 1. ALL SPECIFICATIONS ARE SUBJECT TO CHANGE WITHOUT NOTICE AT ANY TIME
- 2. CUSTOMER OUTLINE DRAWING FOR REFERENCE ONLY

Drawn:	W. Y 2020.12.24
Checked:	T. L 2020.12.24
Approved:	A. M 2020.12.24
Unless Otherwise Specified Dimensions are in Millimeters, Dimensions in [] are in Inches for Customer Reference Only. Unless Otherwise Specified Tolerance are: .XX ±0.13 [.005"] .X ±0.20 [.008"] X ±0.50 [.019"] .X° ±1° X° ±2°	

Title:	WR75 Flexible Twistable, UBR to PBR, Length 500 mm
Part No:	DFTW75B1B2-500



View:	
Size:	A3
Scale:	1:3
Sheet:	1/1
Rev:	A