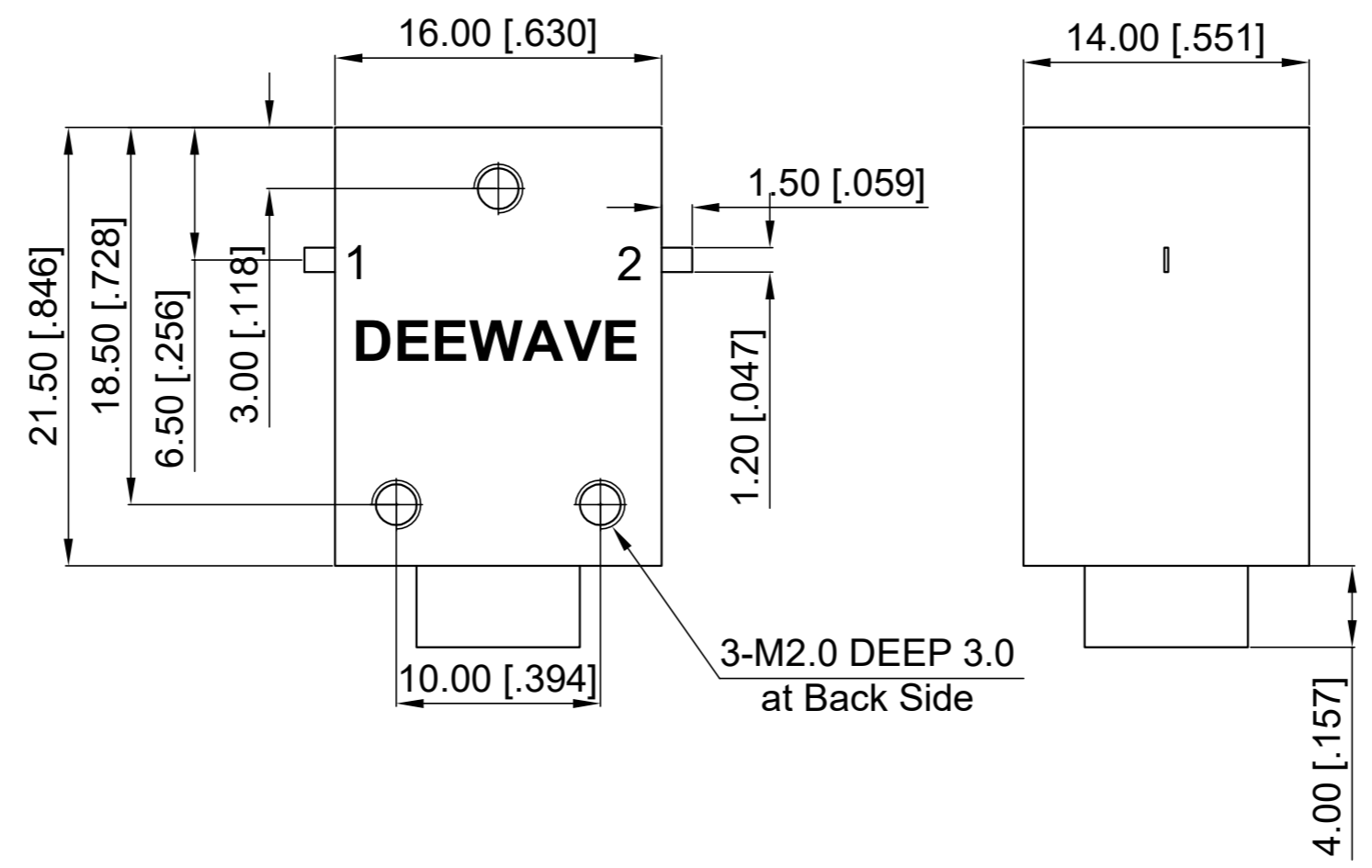


Revisions			
Rev	Description	Date	Approved:
A	Initial Release	2019.10.9	A. M

ELECTRICAL SPECIFICATIONS

Frequency Range: 6-18 GHz
 Insertion Loss: 1.5 dB max.
 Isolation: 10 dB min.
 VSWR: 1.9 max.
 Forward Power: 60W
 Reverse Power: 10W
 Direction: Clockwise



NOTES:
 1. ALL SPECIFICATIONS ARE SUBJECT TO CHANGE WITHOUT NOTICE AT ANY TIME
 2. CUSTOMER OUTLINE DRAWING FOR REFERENCE ONLY

Drawn:	W. Y 2019.10.9
Checked:	T. L 2019.10.9
Approved:	A. M 2019.10.9
Unless Otherwise Specified Dimensions are in Millimeters, Dimensions in [] are in Inches for Customer Reference Only. Unless Otherwise Specified Tolerance are: .XX ±0.13 [0.005"] .X ±0.20 [0.008"] X ±0.50 [0.019"] .X° ±1° X° ±2°	

Title:	Drop-in Isolator Freq 6-18 GHz
Part No:	DDI6001800B

DEEWAVE
www.deewave.com

View:

Size: A3	Scale: 3:1	Sheet: 1/1	Rev: A
----------	------------	------------	--------