

ELECTRICAL SPECIFICATIONS

Frequency Range: 5.6-7.1 GHz

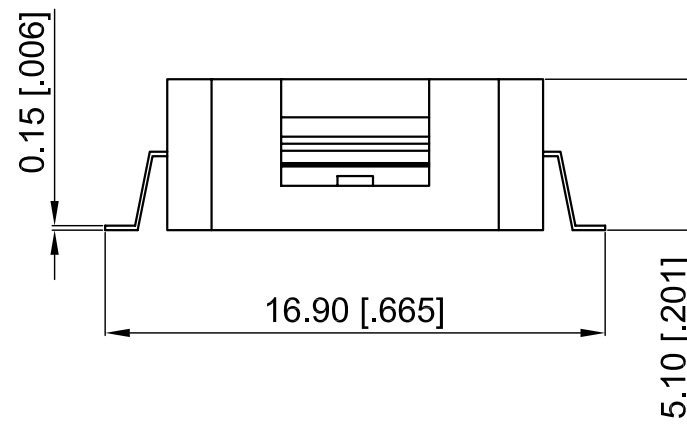
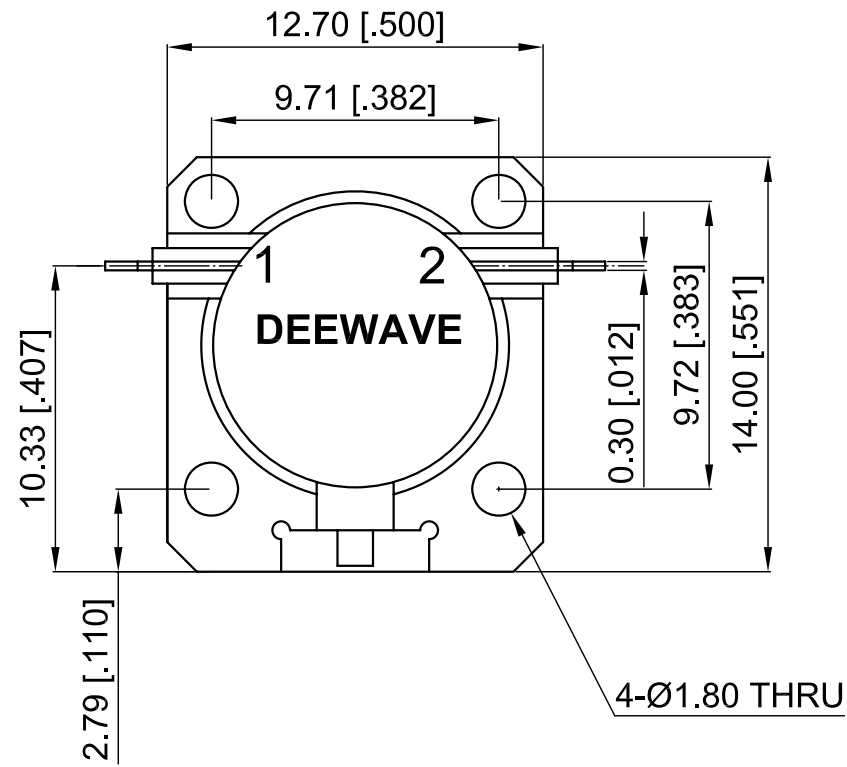
Insertion Loss: 0.6 dB max.

Isolation: 20 dB min.

VSWR: 1.30 max.

Direction: Clockwise

Revisions			
Rev	Description	Date	Approved:
A	Initial Release	2016.8.17	A. M



NOTES:

1. ALL SPECIFICATIONS ARE SUBJECT TO CHANGE WITHOUT NOTICE AT ANY TIME
2. CUSTOMER OUTLINE DRAWING FOR REFERENCE ONLY

Drawn:	W. Y 2016.8.17
Checked:	T. L 2016.8.17
Approved:	A. M 2016.8.17
Unless Otherwise Specified Dimensions are in Millimeters, Dimensions in [] are in Inches for Customer Reference Only. Unless Otherwise Specified Tolerance are: .XX ±0.13 [.005"] .X ±0.20 [.008"] X ±0.50 [.019"] .X° ±1° X° ±2°	

Title:	SMD Isolator Freq 5.6-7.1 GHz
Part No:	DDI560710



View:	
Size:	A3
Scale:	4:1
Sheet:	1/1
Rev:	A