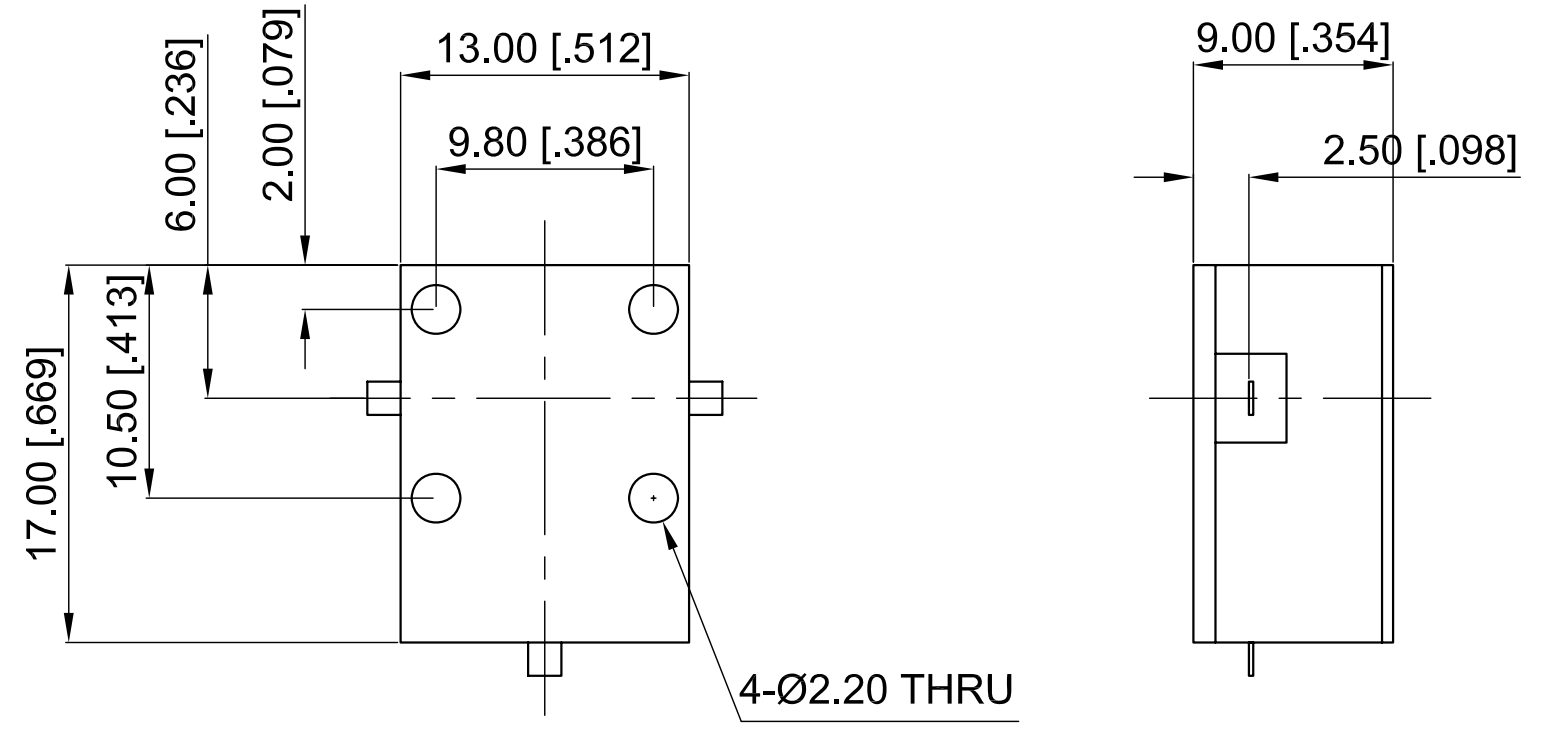


Revisions			
Rev	Description	Date	Approved:
A	Initial Release	2017.4.6	A. M

ELECTRICAL SPECIFICATIONS
 Frequency Range: 8.7-10.4 GHz
 Insertion Loss: 0.4 dB max.
 Isolation: 20 dB min.
 VSWR: 1.25 max.
 Direction: Clockwise



NOTES:
 1. ALL SPECIFICATIONS ARE SUBJECT TO CHANGE WITHOUT NOTICE AT ANY TIME
 2. CUSTOMER OUTLINE DRAWING FOR REFERENCE ONLY

Drawn:	W. Y 2017.4.6
Checked:	T. L 2017.4.6
Approved:	A. M 2017.4.6
Unless Otherwise Specified Dimensions are in Millimeters, Dimensions in [] are in Inches for Customer Reference Only. Unless Otherwise Specified Tolerance are: .XX ±0.13 [0.005"] .X ±0.20 [0.008"] X ±0.50 [0.019"] .X° ±1° X° ±2°	

Title:
**Drop-in Circulator
 Freq 8.7-10.4 GHz**

Part No:
DDC8701040



View:	
Size:	A3
Scale:	3:1
Sheet:	1/1
Rev:	A