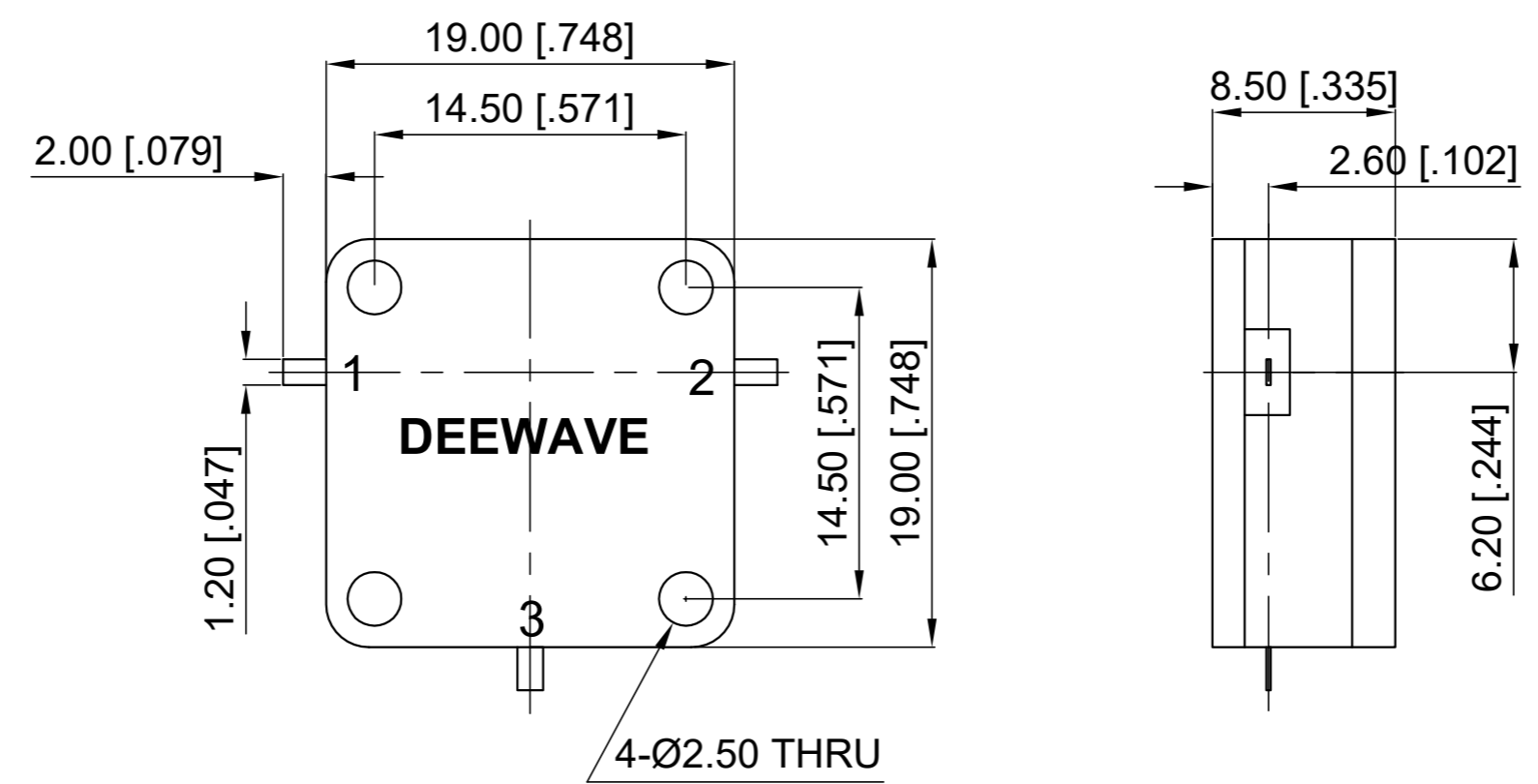


| Revisions | | | |
|-----------|-----------------|-----------|-----------|
| Rev | Description | Date | Approved: |
| A | Initial Release | 2020.1.24 | A. M |

ELECTRICAL SPECIFICATIONS
 Frequency Range: 2200-2400 MHz
 Insertion Loss: 0.4 dB max.
 Isolation: 20 dB min.
 VSWR: 1.25 max.
 Forward Power: 50 W
 Direction: Clockwise



NOTES:
 1. ALL SPECIFICATIONS ARE SUBJECT TO CHANGE WITHOUT NOTICE AT ANY TIME
 2. CUSTOMER OUTLINE DRAWING FOR REFERENCE ONLY

| | |
|--|----------------|
| Drawn: | W. Y 2020.1.24 |
| Checked: | T. L 2020.1.24 |
| Approved: | A. M 2020.1.24 |
| Unless Otherwise Specified Dimensions are in Millimeters, Dimensions in [] are in Inches for Customer Reference Only. Unless Otherwise Specified Tolerance are: .XX ±0.13 [.005"] .X ±0.20 [.008"] X ±0.50 [.019"] .X° ±1° X° ±2° | |

| | |
|----------|--|
| Title: | Drop-in Circulator Freq 2200-2400 MHz |
| Part No: | DDC220240 |

DEEWAVE
www.deewave.com

View:

| | | | |
|-------|--------|--------|------|
| Size: | Scale: | Sheet: | Rev: |
| A3 | 3:1 | 1/1 | A |