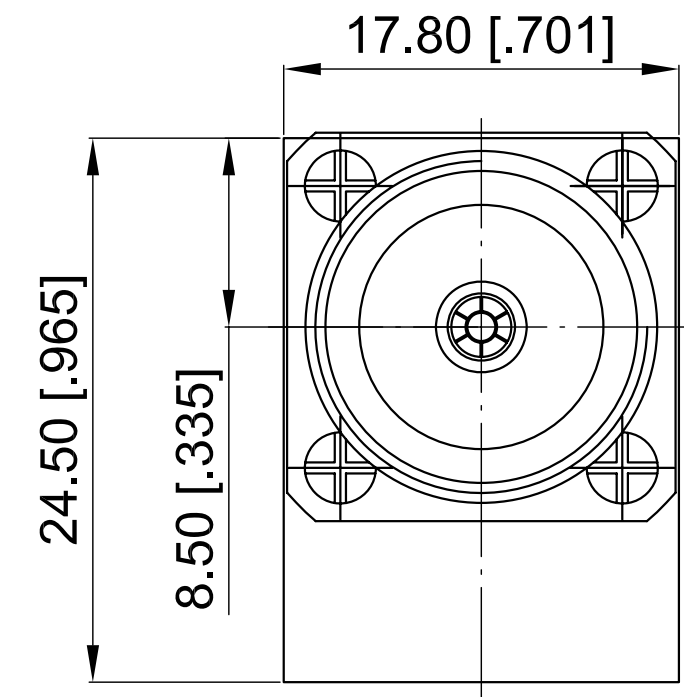
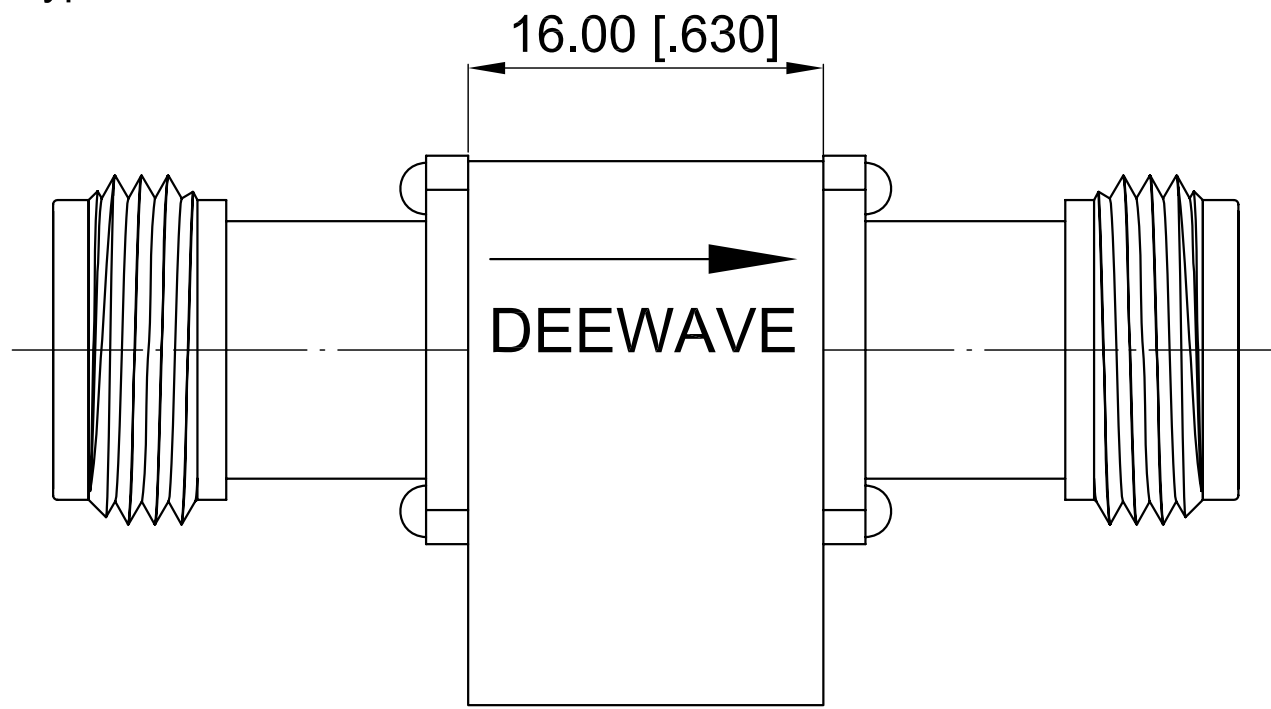


ELECTRICAL SPECIFICATIONS

Frequency Range: 9.6-9.7 GHz
 Impedance: 50 Ohm
 Insertion Loss: 0.3 dB max.
 Isolation: 23 dB min.
 VSWR: 1.15 max.
 Forward Power: 50 W
 Reserve Power: 10 W
 Peak Power: 1KW (1% duty-cycle)
 Connector Type: N Female

Revisions			
Rev	Description	Date	Approved:
A	Initial Release	2015.2.5	A. M
B	Peak Power Added	2015.2.5	A. M



NOTES:
 1. ALL SPECIFICATIONS ARE SUBJECT TO CHANGE WITHOUT NOTICE AT ANY TIME
 2. CUSTOMER OUTLINE DRAWING FOR REFERENCE ONLY

Drawn:	W. Y 2015.2.5
Checked:	T. L 2015.2.5
Approved:	A. M 2015.2.5
Unless Otherwise Specified Dimensions are in Millimeters, Dimensions in [] are in Inches for Customer Reference Only. Unless Otherwise Specified Tolerance are: .XX ±0.13 [.005"] .X ±0.20 [.008"] X ±0.50 [.019"] .X° ±1° X° ±2°	

Title:	N Isolator Freq 9.6-9.7 GHz
Part No:	DCI960970

DEEWAVE
www.deewave.com

View:

Size: A3	Scale: 3:1	Sheet: 1/1	Rev: B
----------	------------	------------	--------