

ELECTRICAL SPECIFICATIONS

Frequency Range: 17-22 GHz

Impedance: 50 Ohm

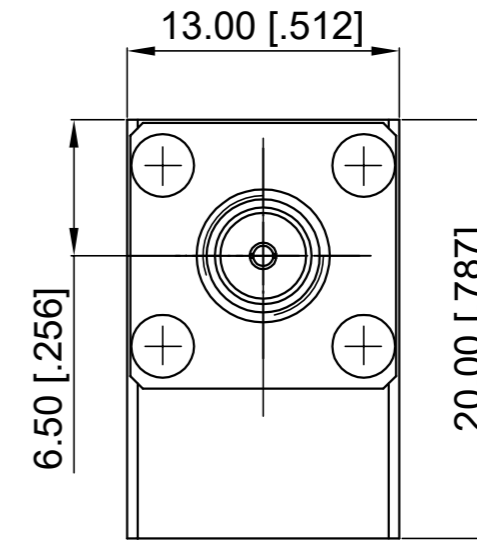
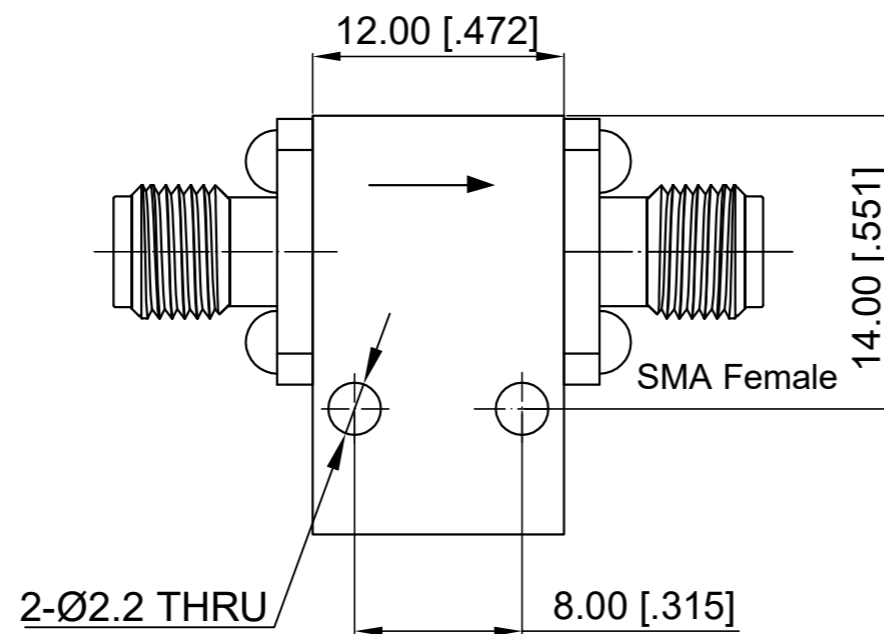
Insertion Loss: 0.6 dB max.

Isolation: 18 dB min.

VSWR: 1.35 max.

Average Power: 10 W

Revisions			
Rev	Description	Date	Approved:
A	Initial Release	2019.3.29	A. M



NOTES:

1. ALL SPECIFICATIONS ARE SUBJECT TO CHANGE WITHOUT NOTICE AT ANY TIME
2. CUSTOMER OUTLINE DRAWING FOR REFERENCE ONLY

Drawn:	W. Y 2019.3.29
Checked:	T. L 2019.3.29
Approved:	A. M 2019.3.29
Unless Otherwise Specified Dimensions are in Millimeters, Dimensions in [] are in Inches for Customer Reference Only. Unless Otherwise Specified Tolerance are: .XX ±0.13 [.005"] .X ±0.20 [.008"] X ±0.50 [.019"] .X° ±1° X° ±2°	

Title:	SMA Female Isolator Freq 17-22 GHz
Part No:	DCI17002200

DEEWAVE
www.deewave.com

View:

Size: A3	Scale: 4:1	Sheet: 1/1	Rev: A
----------	------------	------------	--------