

# ELECTRICAL SPECIFICATIONS

Frequency Range: 10-15 GHz

Impedance: 50 Ohm

Insertion Loss: 0.6 dB max.

Isolation: 18 dB min.

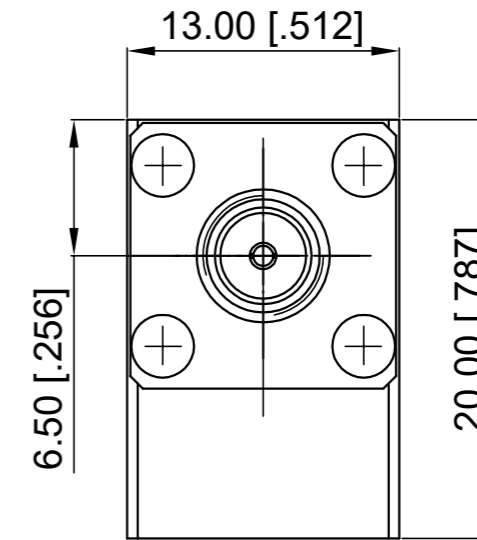
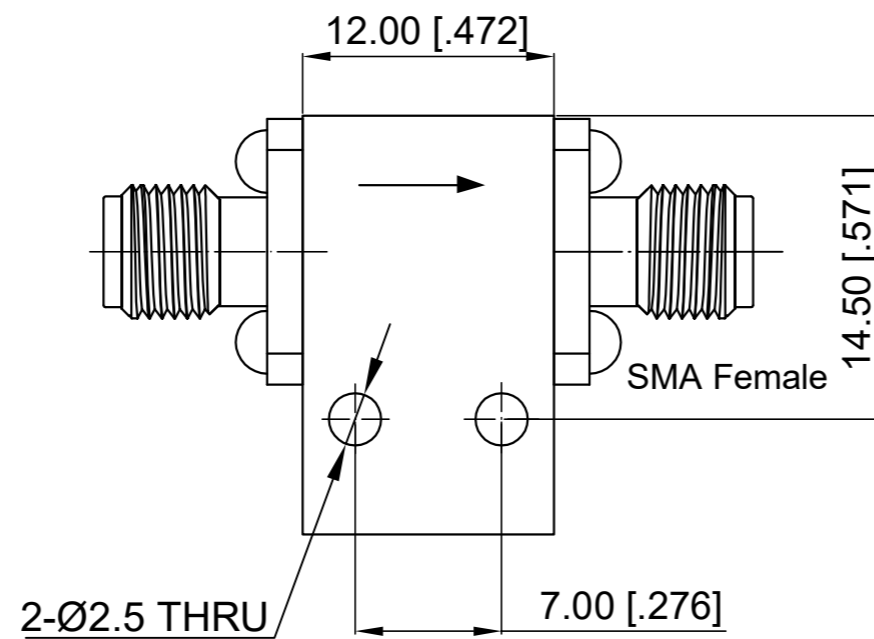
VSWR: 1.30 max.

Forward Power: 10 W

Reserve Power: 2 W

Direction: Clockwise

Revisions			
Rev	Description	Date	Approved:
A	Initial Release	2020.7.30	A. M



NOTES:

1. ALL SPECIFICATIONS ARE SUBJECT TO CHANGE WITHOUT NOTICE AT ANY TIME
2. CUSTOMER OUTLINE DRAWING FOR REFERENCE ONLY

Drawn:	W. Y 2020.7.30
Checked:	T. L 2020.7.30
Approved:	A. M 2020.7.30
Unless Otherwise Specified Dimensions are in Millimeters, Dimensions in [ ] are in Inches for Customer Reference Only. Unless Otherwise Specified Tolerance are: .XX ±0.13 [.005"] .X ±0.20 [.008"] X ±0.50 [.019"] .X° ±1° X° ±2°	

Title:	SMA Female Isolator Freq 10-15 GHz
Part No:	DCI10001500B

**DEEWAVE**  
www.deewave.com

View:

Size: A3	Scale: 4:1	Sheet: 1/1	Rev: A
----------	------------	------------	--------