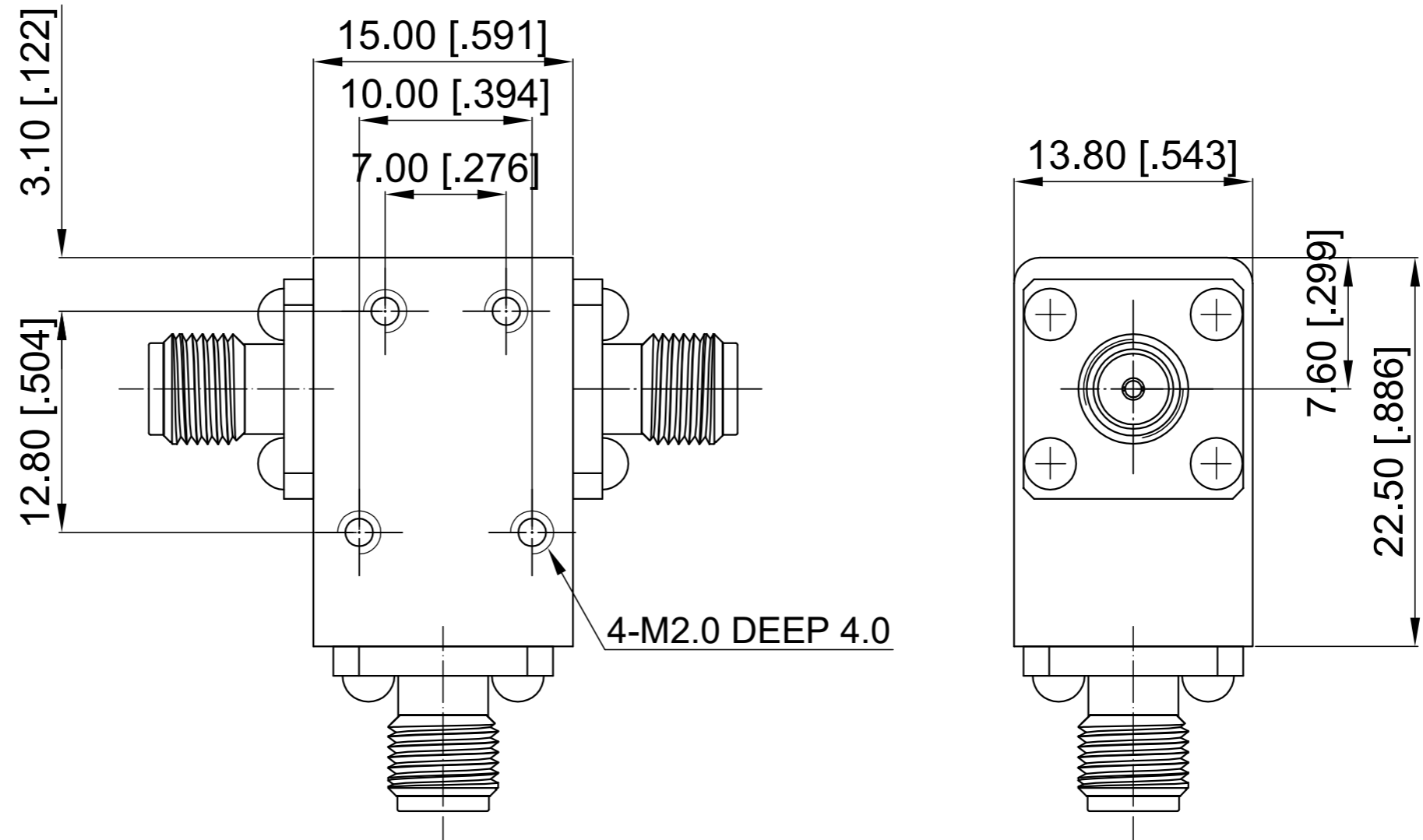


**ELECTRICAL SPECIFICATIONS**

Frequency Range: 4.4-5 GHz  
 Impedance: 50 Ohm  
 Insertion Loss: 0.40 dB max.  
 Isolation: 20 dB min.  
 VSWR: 1.20 max.  
 Forward Power: 10W  
 Direction: Clockwise

Revisions			
Rev	Description	Date	Approved:
A	Initial Release	2019.4.26	A. M



NOTES:  
 1. ALL SPECIFICATIONS ARE SUBJECT TO CHANGE WITHOUT NOTICE AT ANY TIME  
 2. CUSTOMER OUTLINE DRAWING FOR REFERENCE ONLY

Drawn:	W. Y 2019.4.26
Checked:	T. L 2019.4.26
Approved:	A. M 2019.4.26
Unless Otherwise Specified Dimensions are in Millimeters, Dimensions in [ ] are in Inches for Customer Reference Only. Unless Otherwise Specified Tolerance are: .XX ±0.13 [.005"] .X ±0.20 [.008"] X ±0.50 [.019"] .X° ±1° X° ±2°	

Title:  
**SMA Female Circulator  
 Freq 4.4-5 GHz**

Part No:  
**DCC440500**



View:	
Size:	A3
Scale:	3:1
Sheet:	1/1
Rev:	A