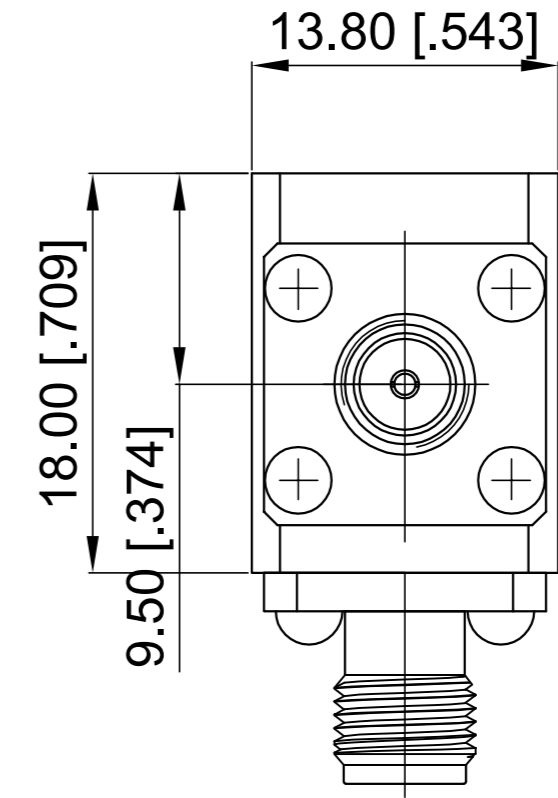
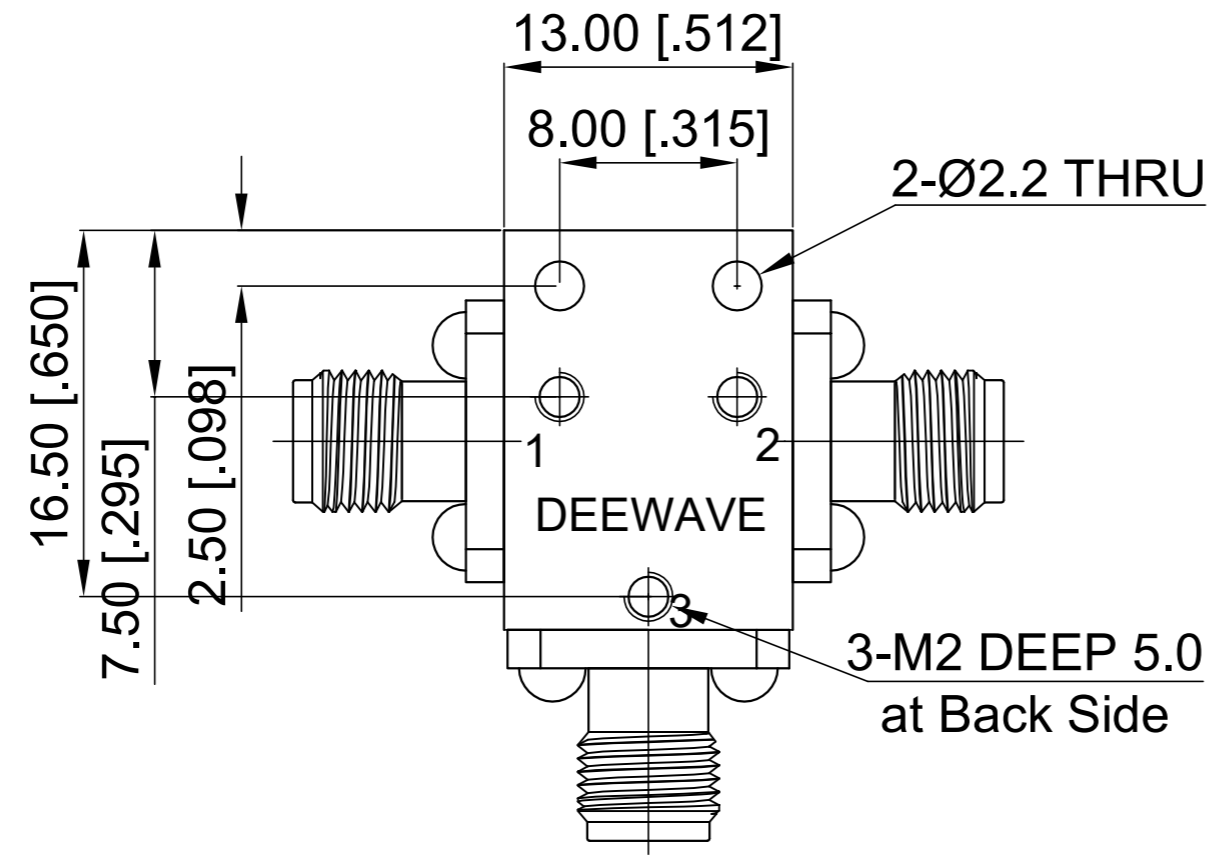


ELECTRICAL SPECIFICATIONS

Frequency Range: 12-18 GHz
 Impedance: 50 Ohm
 Insertion Loss: 0.50 dB max.
 Isolation: 18 dB min.
 VSWR: 1.30 max.
 Forward Power: 30 W
 Direction: Clockwise

Revisions			
Rev	Description	Date	Approved:
A	Initial Release	2014.10.29	A. M



- NOTES:
- ALL SPECIFICATIONS ARE SUBJECT TO CHANGE WITHOUT NOTICE AT ANY TIME
 - CUSTOMER OUTLINE DRAWING FOR REFERENCE ONLY

Drawn:	W. Y 2014.10.29
Checked:	T. L 2014.10.29
Approved:	A. M 2014.10.29
Unless Otherwise Specified Dimensions are in Millimeters, Dimensions in [] are in Inches for Customer Reference Only. Unless Otherwise Specified Tolerance are: .XX ±0.13 [.005"] .X ±0.20 [.008"] X ±0.50 [.019"] .X° ±1° X° ±2°	

Title: SMA Female Circulator
 Freq 12-18 GHz

Part No: DCC12001800B



View:	
Size:	A3
Scale:	1:1
Sheet:	1/1
Rev:	A