

ELECTRICAL SPECIFICATIONS

Frequency Range: 1.164-1.188 GHz

Impedance: 50 Ohm

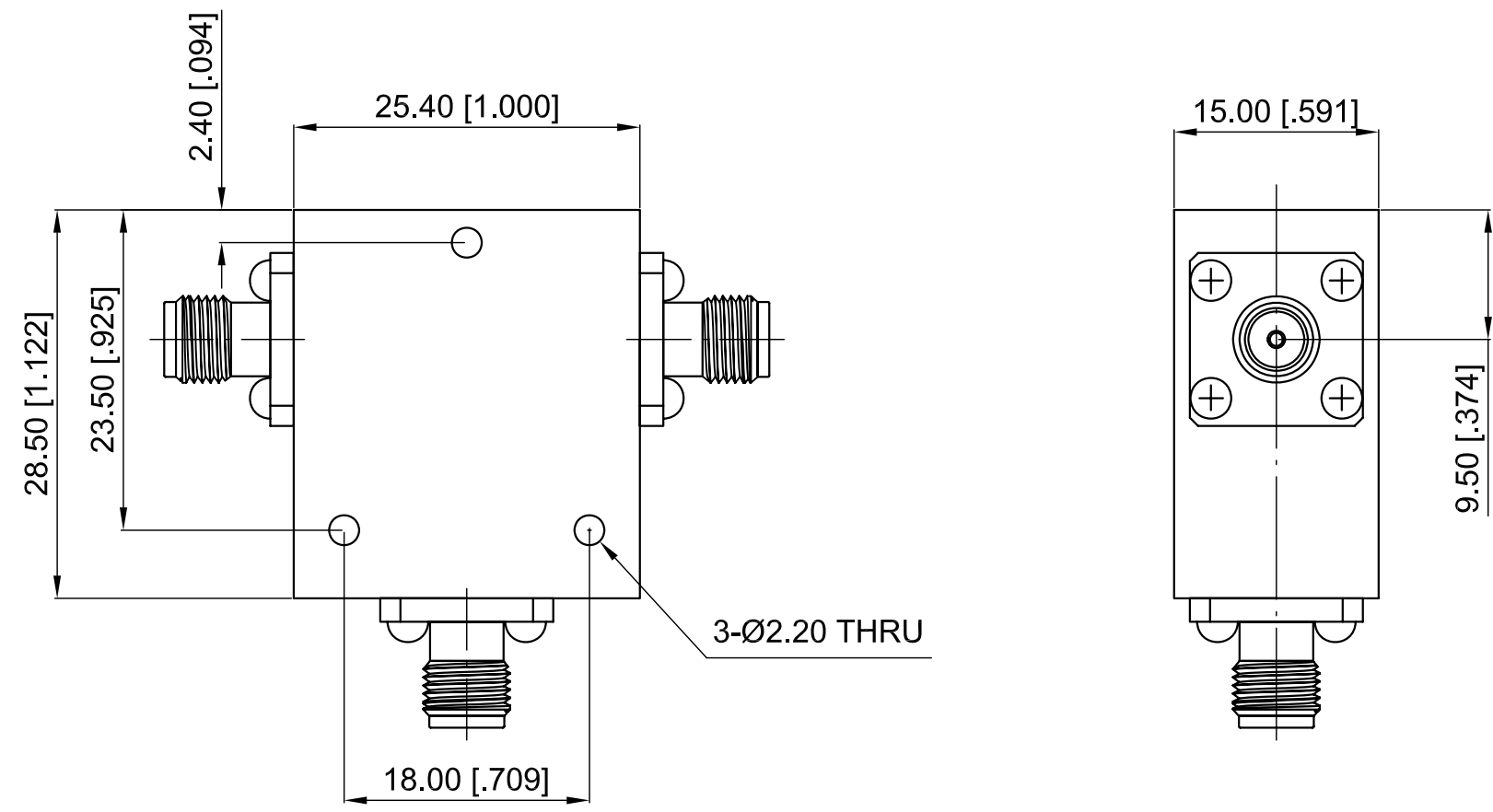
Insertion Loss: 0.30 dB max.

Isolation: 23 dB min.

VSWR: 1.12 max.

Direction: Clockwise

Revisions			
Rev	Description	Date	Approved:
A	Initial Release	2017.3.30	A. M



- NOTES:
1. ALL SPECIFICATIONS ARE SUBJECT TO CHANGE WITHOUT NOTICE AT ANY TIME
 2. CUSTOMER OUTLINE DRAWING FOR REFERENCE ONLY

Drawn:	W. Y 2017.3.30
Checked:	T. L 2017.3.30
Approved:	A. M 2017.3.30
Unless Otherwise Specified Dimensions are in Millimeters, Dimensions in [] are in Inches for Customer Reference Only. Unless Otherwise Specified Tolerance are: .XX ±0.13 [.005"] .X ±0.20 [.008"] X ±0.50 [.019"] .X° ±1° X° ±2°	

Title:	SMA Female Circulator Freq 1.164-1.188 GHz
Part No:	DCC116118

DEEWAVE
www.deewave.com

View:

Size: A3	Scale: 2:1	Sheet: 1/1	Rev: A
----------	------------	------------	--------