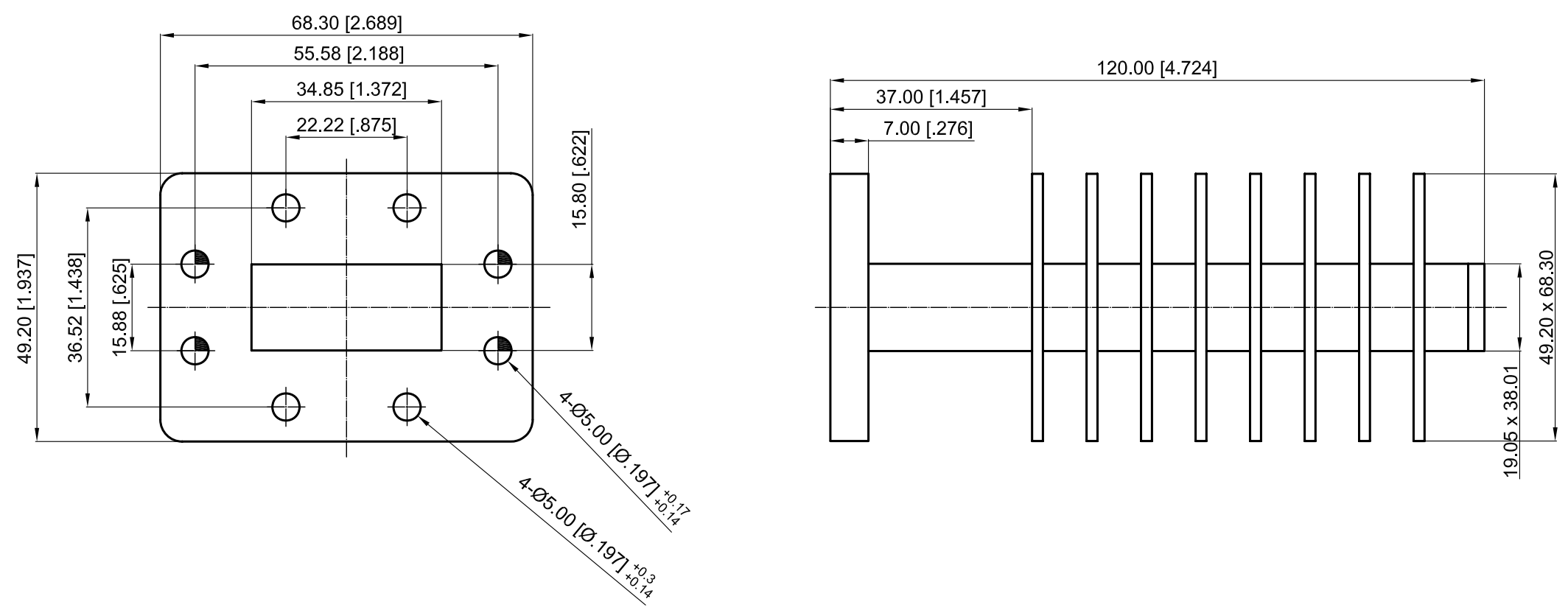


Revisions			
Rev	Description	Date	Approved:
A	Initial Release	2016.4.25	A. M

ELECTRICAL PERFORMANCE
 1. Frequency Range: 5.85-8.2 GHz
 2. VSWR: 1.25 max.
 3. Load Power: 100 W
 4. WG Type: WR137

MATERIAL
 1. Body: Aluminium



NOTES:
 1. ALL SPECIFICATIONS ARE SUBJECT TO CHANGE WITHOUT NOTICE AT ANY TIME
 2. CUSTOMER OUTLINE DRAWING FOR REFERENCE ONLY

Drawn:	W. Y 2016.4.25
Checked:	T. L 2016.4.25
Approved:	A. M 2016.4.25
Unless Otherwise Specified Dimensions are in Millimeters, Dimensions in [] are in Inches for Customer Reference Only. Unless Otherwise Specified Tolerance are: .XX ±0.13 [.005"] .X ±0.20 [.008"] X ±0.50 [.019"] .X° ±1° X° ±2°	

Title:	WR137 Load, 100W
Part No:	DWL137-100

DEEWAVE
www.deewave.com

View:

Size: A3	Scale: 1:1	Sheet: 1/1	Rev: A
----------	------------	------------	--------