

Deewave Electronics offers a line of Drop-In Isolators in various package sizes and frequency bands, specifically designed for cellular and wireless markets. Reliability, cost and manufacturability are optimized at the design stage. Drop-In Isolators are manufactured with high quality materials to ensure optimum performance over the temperature range.



Drop-In Isolators with surface mount configuration, phase matching, counter clockwise rotation, higher reverse power capability along with required intermodulation specifications can be provided upon request. Deewave Electronics provide drop-in isolators with commercial series, high specs series, low IMD series and etc.

And also, Deewave Electronics has the ability to provide a wide range of solutions to meet most applications

Commercial Series

Part Number	Frequency Range (GHz)	Insertion Loss (dB Max)	Isolation (dB Min)	VSWR (Max)	Operating Temperature (°C)	Forward Power (W)	Reverse Power (W)	Connector type	Package Code
DDI045047-1	0.450-0.470	0.30	23	1.20	-40~+85	150	10	TAB	B06
DDI045047-2	0.450-0.470	0.30	23	1.20	-40~+85	150	100	TAB	B07
DDI069080-1	0.698-0.806	0.40	20	1.25	-40~+85	150	10	TAB	B06
DDI069080-2	0.698-0.806	0.40	20	1.25	-40~+85	150	100	TAB	B07
DDI082084-1	0.824-0.849	0.25	25	1.20	-40~+85	150	100	TAB	B01
DDI082084-2	0.824-0.849	0.35	23	1.20	-40~+85	50	10	TAB	B02
DDI086089-1	0.869-0.894	0.25	25	1.20	-40~+85	150	100	TAB	B01
DDI086089-2	0.869-0.894	0.35	23	1.20	-40~+85	50	10	TAB	B02
DDI089091-1	0.890-0.915	0.25	25	1.20	-40~+85	150	100	TAB	B01
DDI089091-2	0.890-0.915	0.35	23	1.20	-40~+85	50	10	TAB	B02
DDI093096-1	0.935-0.960	0.25	25	1.20	-40~+85	150	100	TAB	B01
DDI093096-2	0.935-0.960	0.35	23	1.20	-40~+85	50	10	TAB	B02
DDI171178-1	1.710-1.785	0.25	25	1.20	-40~+85	150	100	TAB	B01
DDI171178-2	1.710-1.785	0.30	25	1.20	-40~+85	100	100	TAB	B03
DDI171178-3	1.710-1.785	0.30	25	1.20	-40~+85	50	10	TAB	B04
DDI175178-1	1.755-1.785	0.25	25	1.20	-40~+85	150	100	TAB	B01
DDI175178-2	1.755-1.785	0.30	25	1.20	-40~+85	100	100	TAB	B03
DDI175178-3	1.755-1.785	0.30	25	1.20	-40~+85	50	10	TAB	B04
DDI180188-1	1.805-1.880	0.25	25	1.20	-40~+85	150	100	TAB	B01
DDI180188-2	1.805-1.880	0.30	25	1.20	-40~+85	100	100	TAB	B03
DDI180188-3	1.805-1.880	0.30	25	1.20	-40~+85	50	10	TAB	B04
DDI185188-1	1.850-1.880	0.25	25	1.20	-40~+85	150	100	TAB	B01
DDI185188-2	1.850-1.880	0.30	25	1.20	-40~+85	100	100	TAB	B03
DDI185188-3	1.850-1.880	0.30	25	1.20	-40~+85	50	10	TAB	B04
DDI185191-1	1.850-1.910	0.25	25	1.20	-40~+85	150	100	TAB	B01

Note: All the specs above are at room temperature.

Commercial Series

Part Number	Frequency Range (GHz)	Insertion Loss (dB Max)	Isolation (dB Min)	VSWR (Max)	Operating Temperature (°C)	Forward Power (W)	Reverse Power (W)	Connector type	Package Code
DDI185191-2	1.850-1.910	0.30	25	1.20	-40~+85	100	100	TAB	B03
DDI185191-3	1.850-1.910	0.30	25	1.20	-40~+85	50	10	TAB	B04
DDI188192-1	1.880-1.920	0.25	25	1.20	-40~+85	150	100	TAB	B01
DDI188192-2	1.880-1.920	0.30	25	1.20	-40~+85	100	100	TAB	B03
DDI188192-3	1.880-1.920	0.30	25	1.20	-40~+85	50	10	TAB	B04
DDI192198-1	1.920-1.980	0.25	25	1.20	-40~+85	150	100	TAB	B01
DDI192198-2	1.920-1.980	0.30	25	1.20	-40~+85	100	100	TAB	B03
DDI192198-3	1.920-1.980	0.30	25	1.20	-40~+85	50	10	TAB	B04
DDI193199-1	1.930-1.990	0.25	25	1.20	-40~+85	150	100	TAB	B01
DDI193199-2	1.930-1.990	0.30	25	1.20	-40~+85	100	100	TAB	B03
DDI193199-3	1.930-1.990	0.30	25	1.20	-40~+85	50	10	TAB	B04
DDI201202-1	2.010-2.025	0.25	25	1.20	-40~+85	150	100	TAB	B01
DDI201202-2	2.010-2.025	0.30	25	1.20	-40~+85	100	100	TAB	B03
DDI201202-3	2.010-2.025	0.30	25	1.20	-40~+85	50	10	TAB	B04
DDI211217-1	2.110-2.170	0.25	25	1.20	-40~+85	150	100	TAB	B01
DDI211217-2	2.110-2.170	0.30	25	1.20	-40~+85	100	100	TAB	B03
DDI211217-3	2.110-2.170	0.30	25	1.20	-40~+85	50	10	TAB	B04
DDI230240-1	2.300-2.400	0.30	23	1.20	-40~+85	100	100	TAB	B03
DDI230240-2	2.300-2.400	0.30	23	1.20	-40~+85	50	10	TAB	B04
DDI340360-1	3.400-3.600	0.30	23	1.20	-40~+85	100	100	TAB	B03
DDI340360-2	3.400-3.600	0.30	23	1.20	-40~+85	50	10	TAB	B04
DDI340360-3	3.400-3.600	0.40	20	1.25	-40~+85	10	5	TAB	B05
DDI8701040	8.70-10.40	0.40	23	1.20	-40~+85	10	5	TAB	B08
DDI10101070	10.10-10.70	0.30	23	1.20	-40~+85	10	5	TAB	B08
DDI11001200	11.00-12.00	0.40	23	1.20	-40~+85	10	5	TAB	B08
DDI12751325	12.75-13.25	0.40	23	1.20	-40~+85	10	5	TAB	B08
DDI14251535	14.25-15.35	0.40	20	1.25	-40~+85	10	5	TAB	B08
DDI16801800	16.80-18.00	0.50	20	1.30	-40~+85	10	5	TAB	B08
DDI17701970	17.70-19.70	0.50	20	1.30	-40~+85	10	5	TAB	B08
DDI23502450	23.50-24.50	0.60	20	1.30	-40~+85	10	5	TAB	B09

Select-A-Frequency (Customerized)

Part Number	Frequency Range (GHz)	Band Width (MHz)	Insertion Loss (dB Max)	Isolation (dB Min)	VSWR (Max)	Operating Temperature (°C)	Reverse Power (W)	Size L*W*H (mm)	Connector type
DDI015020C	0.15-0.2	8	0.60	16	1.40	0~+60	100	70*84*15	TAB
DDI020025C	0.2-0.25	20	0.50	18	1.30	0~+60	100	50.5*64.5*15	TAB
DDI040050C	0.4-0.5	30	0.30	25	1.20	-15~+60	10	44*45.5*15.6	TAB
		30	0.30	25	1.20	-15~+60	100	44*54*15.6	TAB

Note: All the specs above are at room temperature.

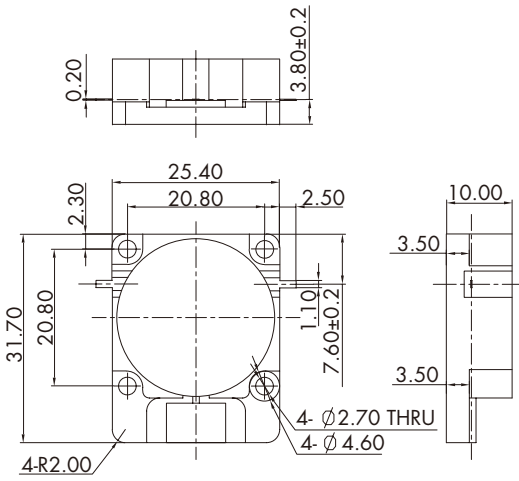
Select-A-Frequency (Customerized)

Part Number	Frequency Range (GHz)	Band Width (MHz)	Insertion Loss (dB Max)	Isolation (dB Min)	VSWR (Max)	Operating Temperature (°C)	Reverse Power (W)	Size L*W*H (mm)	Connector type
DDI040060C	0.4-0.6	10	0.30	25	1.20	-15~+60	10	35*38*13	TAB
		10	0.30	25	1.20	-15~+60	100	35*46*13	TAB
DDI060080C	0.6-0.8	30	0.30	25	1.20	-30~+70	10	35*38*13	TAB
		30	0.30	25	1.20	-30~+70	100	35*46*13	TAB
DDI080100C	0.8-1.0	25	0.30	23	1.20	-30~+70	10	25.4*25.4*10	TAB
		100	0.50	20	1.25	-30~+70	10		
		25	0.30	23	1.20	-30~+70	100	25.4*31.7*6.8	TAB
		100	0.50	20	1.25	-30~+70	100		
		25	0.30	23	1.20	-30~+70	100	25.4*31.7*10	TAB
		100	0.50	20	1.25	-30~+70	100		
DDI080120C	0.8-1.2	25	0.35	23	1.20	-30~+70	10	20*20*8.5	TAB
DDI160380C	1.6-3.8	70	0.30	23	1.20	-30~+70	10	19*19*8	TAB
DDI160380C		200	0.40	20	1.20	-30~+70	100	19*25.4*8	TAB
DDI170220C	1.7-2.2	70	0.30	23	1.20	-30~+70	100	25.4*31.7*6.8	TAB
DDI300600C	3.0-6.0	300	0.30	23	1.20	-30~+70	10	19*19*7.7	TAB
		500	0.50	20	1.25	-30~+70	10		
		300	0.30	23	1.20	-30~+70	100	19*29*7.7	TAB
		500	0.50	20	1.25	-30~+70	100		
DDI300700C	3.0-7.0	200	0.40	20	1.25	-40~+75	5	12.7*12.7*6.4	TAB
		500	0.50	18	1.30	-40~+75	5		
DDI350650C	3.5-6.5	300	0.30	25	1.20	-40~+75	10	16*26*10.5	TAB
		600	0.40	23	1.20	-40~+75	10		
		300	0.50	50	1.20	-40~+75	10	32*26*10.5	TAB
DDI500800C	5.0-8.0	300	0.30	25	1.20	-40~+75	10	12*20*6	TAB
		600	0.40	23	1.20	-40~+75	10		
DDI7001800C	7.0-18.0	300	0.30	25	1.20	-40~+75	10	12*20*9.5	TAB
		1000	0.40	23	1.20	-40~+75	10		
		500	0.50	50	1.20	-40~+75	5	17.8*15*7.8	TAB
DDI9001800C	9.0-18.0	100	0.40	23	1.20	-40~+75	5	6.5*12.7*6.8	TAB
DDI18002300C	18.0-23.0	1000	0.75	18	1.35	-40~+75	5	6.4*12.7*4.5	TAB

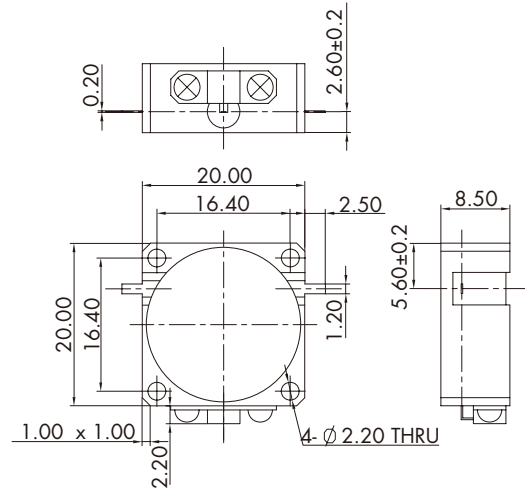
Note: All the specs above are at room temperature.

Package Drawing

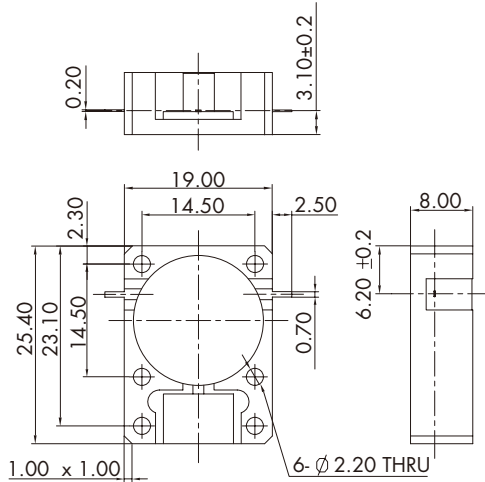
B01



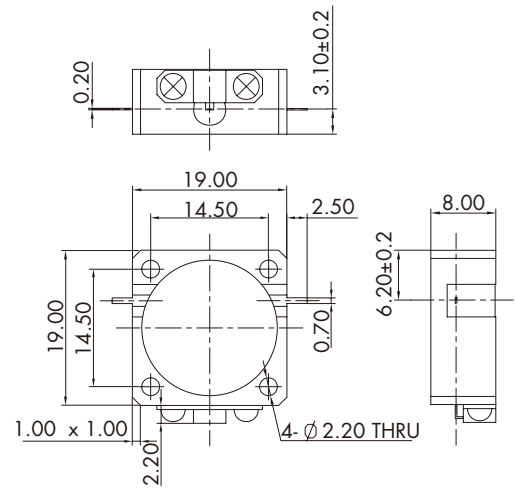
B02



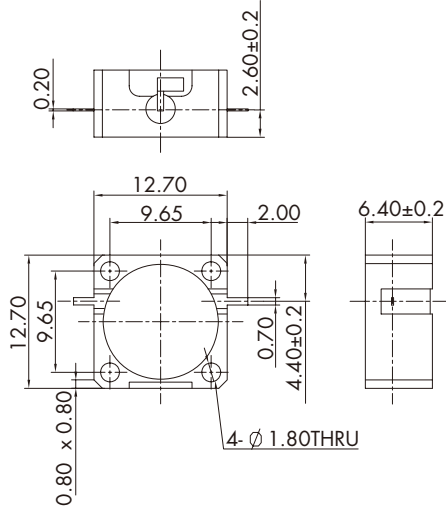
B03



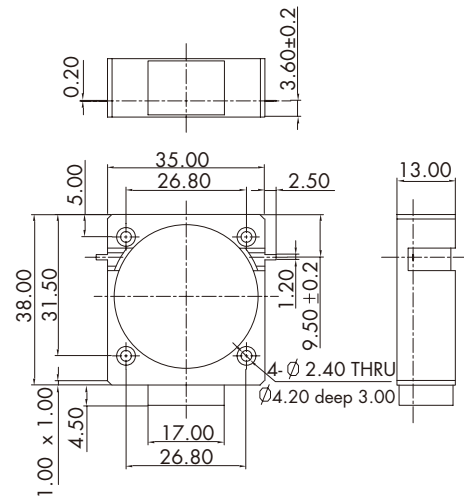
B04



B05



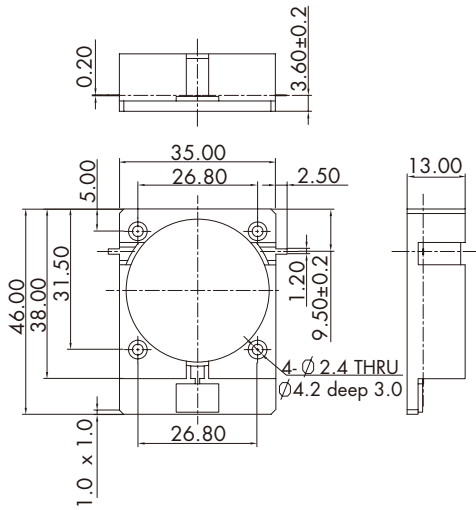
B06



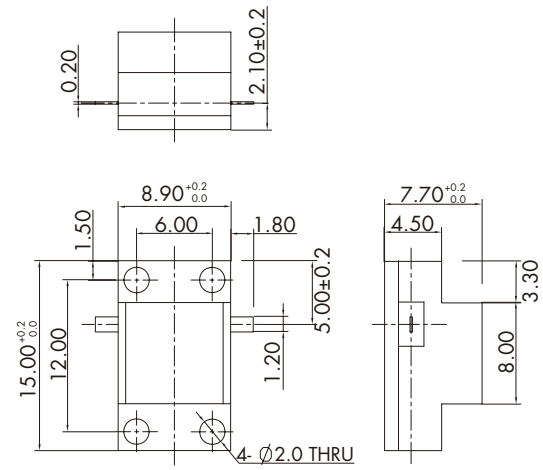
Note: All dimensions are in mm.

Package Drawing

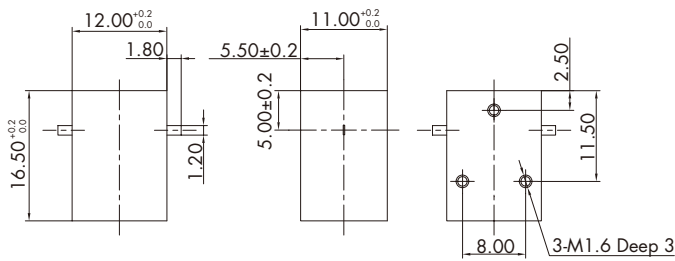
B07



B08



B09



Note: All dimensions are in mm.