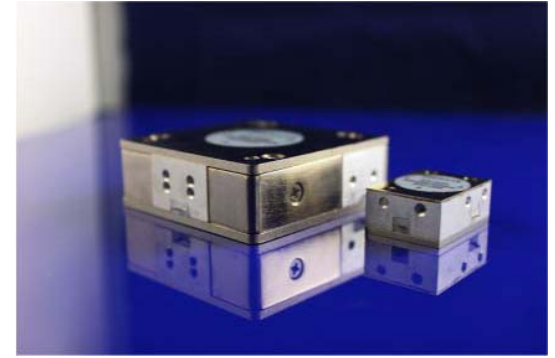


Deewave Electronics offers a line of Drop-In Circulators in various package sizes and frequency bands, specifically designed for cellular and wireless markets. Reliability, cost and manufacturability are optimized at the design stage. Drop-In Circulators are manufactured with high quality materials to ensure Optimum performance over the temperature range.

Drop-In Circulators with surface mount configuration, phase matching, counter clockwise rotation, higher reverse power capability along with required intermodulation specifications can be provided upon request. Deewave Electronics provide drop-in circulators with commercial series, high specs series, low IMD series and etc.



And also, Deewave Electronics has the ability to provide a wide range of solutions to meet most applications

## Commercial Series

Part Number	Frequency Range (GHz)	Insertion Loss (dB Max)	Isolation (dB Min)	VSWR (Max)	Operating Temperature (°C)	Forward Power (W)	Connector type	Package Code
DDC045047	0.450-0.470	0.30	23	1.20	-40~+85	150	TAB	D07
DDC069080	0.698-0.806	0.40	20	1.25	-40~+85	150	TAB	D07
DDC082084-1	0.824-0.849	0.25	25	1.20	-40~+85	150	TAB	D01
DDC082084-2	0.824-0.849	0.35	23	1.20	-40~+85	50	TAB	D02
DDC086089-1	0.869-0.894	0.25	25	1.20	-40~+85	150	TAB	D01
DDC086089-2	0.869-0.894	0.35	23	1.20	-40~+85	50	TAB	D02
DDC089091-1	0.890-0.915	0.25	25	1.20	-40~+85	150	TAB	D01
DDC089091-2	0.890-0.915	0.35	23	1.20	-40~+85	50	TAB	D02
DDC093096-1	0.935-0.960	0.25	25	1.20	-40~+85	150	TAB	D01
DDC093096-2	0.935-0.960	0.35	23	1.20	-40~+85	50	TAB	D02
DDC171178-1	1.710-1.785	0.25	23	1.20	-40~+85	150	TAB	D01
DDC171178-2	1.710-1.785	0.30	23	1.20	-40~+85	100	TAB	D03
DDC175178-1	1.755-1.785	0.25	25	1.20	-40~+85	150	TAB	D01
DDC175178-2	1.755-1.785	0.30	25	1.20	-40~+85	100	TAB	D03
DDC180188-1	1.805-1.880	0.25	23	1.20	-40~+85	150	TAB	D01
DDC180188-2	1.805-1.880	0.30	23	1.20	-40~+85	100	TAB	D03
DDC185188-1	1.850-1.880	0.25	25	1.20	-40~+85	150	TAB	D01
DDC185188-2	1.850-1.880	0.30	25	1.20	-40~+85	100	TAB	D03
DDC185190	1.850-1.910	0.30	23	1.20	-40~+85	100	TAB	D03
DDC188192-1	1.880-1.920	0.25	25	1.20	-40~+85	150	TAB	D01
DDC188192-2	1.880-1.920	0.30	25	1.20	-40~+85	100	TAB	D03
DDC188192-3	1.880-1.920	0.35	25	1.20	-40~+85	100	TAB	D04
DDC188192-4	1.880-1.920	0.30	23	1.20	-40~+85	30	TAB	D05
DDC192198-1	1.920-1.980	0.25	25	1.20	-40~+85	150	TAB	D01
DDC192198-2	1.920-1.980	0.30	25	1.20	-40~+85	100	TAB	D03
DDC193199-1	1.930-1.990	0.25	23	1.20	-40~+85	150	TAB	D01

Note: All the specs above are at room temperature.

## Commercial Series

Part Number	Frequency Range (GHz)	Insertion Loss (dB Max)	Isolation (dB Min)	VSWR (Max)	Operating Temperature (°C)	Forward Power (W)	Connector type	Package Code
DDC193199-2	1.930-1.990	0.30	23	1.20	-40~+85	100	TAB	D03
DDC201202-1	2.010-2.025	0.25	25	1.20	-40~+85	150	TAB	D01
DDC201202-2	2.010-2.025	0.30	25	1.20	-40~+85	100	TAB	D03
DDC201202-3	2.010-2.025	0.30	25	1.20	-40~+85	100	TAB	D04
DDC201202-4	2.010-2.025	0.30	23	1.20	-40~+85	30	TAB	D05
DDC211217-1	2.110-2.170	0.25	25	1.20	-40~+85	150	TAB	D01
DDC211217-2	2.110-2.170	0.30	25	1.20	-40~+85	100	TAB	D03
DDC230240	2.300-2.400	0.30	23	1.20	-40~+85	100	TAB	D03
DDC340360-1	3.400-3.600	0.30	23	1.20	-40~+85	100	TAB	D03
DDC340360-2	3.400-3.600	0.40	20	1.25	-40~+85	10	TAB	D06
DDC8701040	8.70-10.40	0.40	20	1.25	-40~+85	10	TAB	D08
DDC10101070	10.10-10.70	0.30	23	1.20	-40~+85	10	TAB	D08
DDC11001200	11.00-12.00	0.40	23	1.20	-40~+85	10	TAB	D08
DDC12751325	12.75-13.25	0.40	23	1.20	-40~+85	10	TAB	D08
DDC14251535	14.25-15.35	0.40	20	1.25	-40~+85	10	TAB	D08
DDC16801800	16.80-18.00	0.50	20	1.30	-40~+85	10	TAB	D08
DDC17701970	17.70-19.70	0.60	18	1.30	-40~+85	10	TAB	D08
DDC23502450	23.50-24.50	0.60	18	1.30	-40~+85	10	TAB	D09

## High Specs Series

Part Number	Frequency Range (GHz)	Insertion Loss (dB Max)	Isolation (dB Min)	VSWR (Max)	Operating Temperature (°C)	Forward Power (W)	Connector type	Package Code
DDC082083S	0.825-0.835	0.25	28	1.15	-40~+85	150	TAB	D10
DDC087088S	0.870-0.880	0.25	28	1.15	-40~+85	150	TAB	D10
DDC089090S	0.890-0.909	0.25	28	1.15	-40~+85	150	TAB	D10
DDC093095S	0.935-0.954	0.25	28	1.15	-40~+85	150	TAB	D10
DDC201202S	2.010-2.025	0.25	28	1.15	-40~+85	100	TAB	D11

## Select-A-Frequency (Customerized)

Part Number	Frequency Range (GHz)	Band Width (MHz)	Insertion Loss (dB Max)	Isolation (dB Min)	VSWR (Max)	Operating Temperature (°C)	Average Power (W)	Size L*W*H (mm)	Connector type
DDC040050C	0.4-0.5	30	0.30	23	1.20	-15~+60	150	44*45.5*15.6	TAB
DDC040060C	0.4-0.6	10	0.30	23	1.20	-15~+60	150	35*38*13	TAB
DDC060080C	0.6-0.8	30	0.30	23	1.20	-30~+70	150	35*38*13	TAB
DDC080120C	0.8-1.2	25	0.35	23	1.20	-30~+70	30	20*20*8.5	TAB
DDC080200C	0.8-2.0	70	0.30	23	1.20	-30~+70	100	25.4*25.4*10	TAB
		200	0.50	20	1.25	-30~+70	100		

Note: All the specs above are at room temperature.

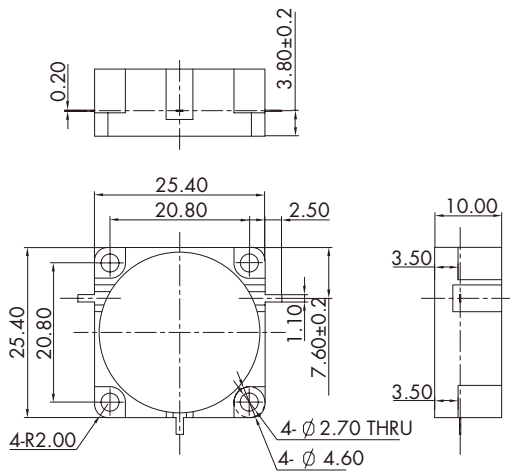
## Select-A-Frequency (Customerized)

Part Number	Frequency Range (GHz)	Band Width (MHz)	Insertion Loss (dB Max)	Isolation (dB Min)	VSWR (Max)	Operating Temperature (°C)	Average Power (W)	Size L*W*H (mm)	Connector type
DDC180380C	1.8-3.8	70	0.25	23	1.20	-30~+70	100	19*19*8	TAB
		200	0.50	20	1.25	-30~+70	100		
DDC300600C	3.0-6.0	300	0.30	23	1.20	-30~+70	20	19*19*7.7	TAB
DDC350650C	3.5-6.5	300	0.30	23	1.20	-40~+75	20	16*26*10.5	TAB
		600	0.40	20	1.20	-40~+75	20		
DDC440800C	4.4-8.0	600	0.50	20	1.25	-40~+75	10	12.7*12.7*6	TAB
DDC7001800C	7.0-18.0	300	0.30	23	1.20	-40~+75	10	12.7*17*8	TAB
		1000	0.40	20	1.20	-40~+75	10		
DDC8001800C	8.0-18.0	300	0.30	23	1.20	-40~+75	10	8.9*12.5*7.7	TAB
		1000	0.40	20	1.25	-40~+75	10		
DDC18002200C	18.0-22.0	1000	0.60	18	1.35	-40~+75	10	12*15*11	TAB

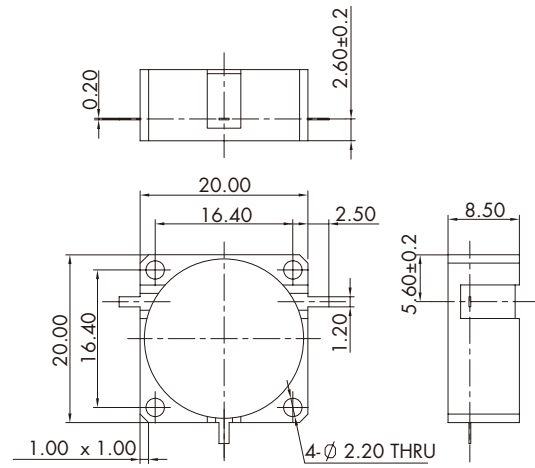
Note: All the specs above are at room temperature.

## Package Drawing

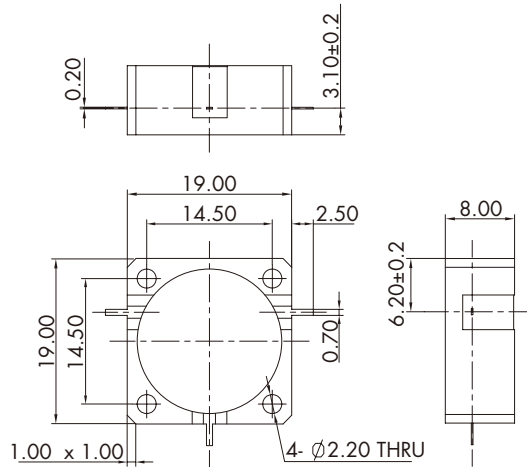
D01



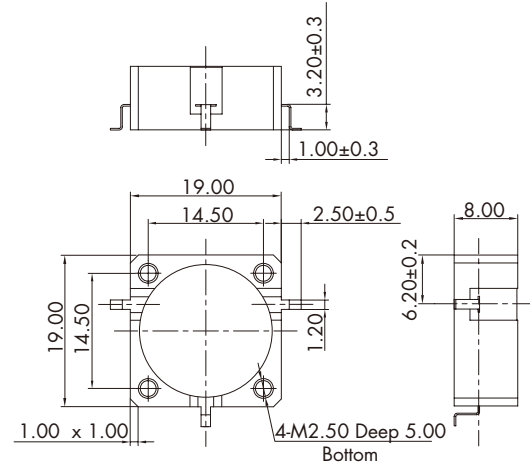
D02



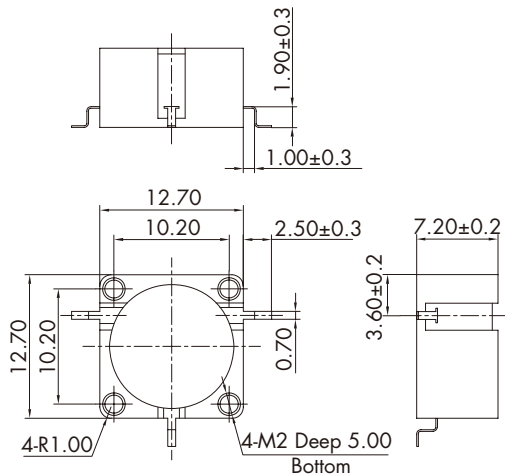
D03



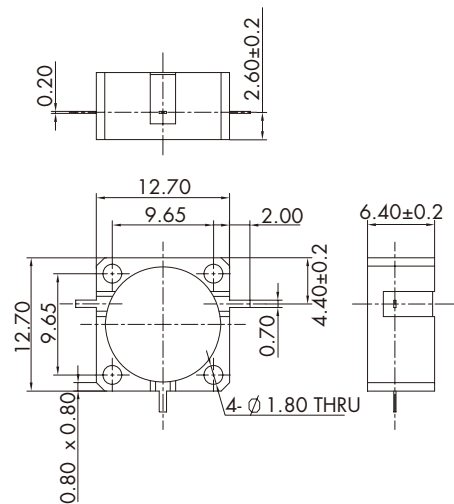
D04



D05



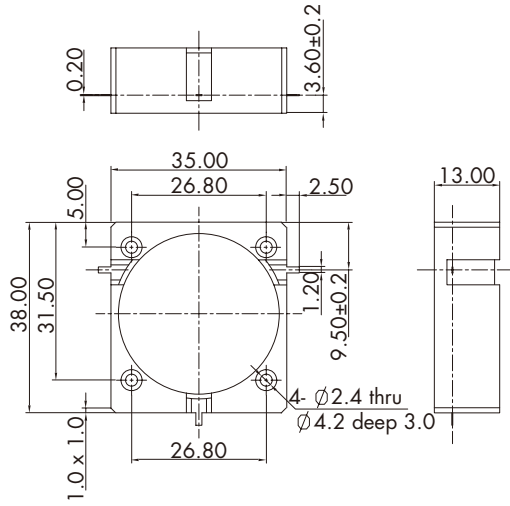
D06



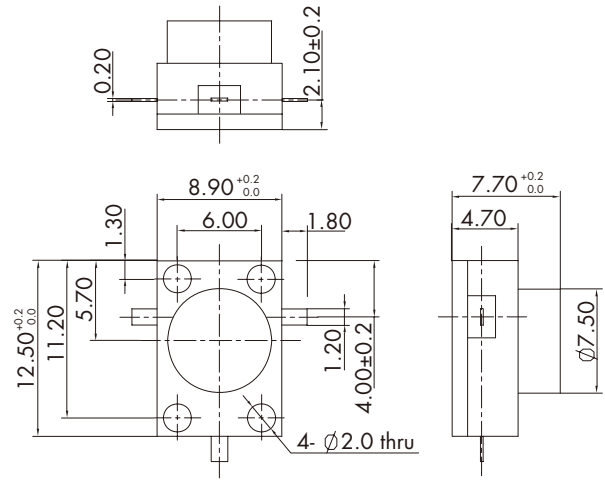
Note: All dimensions are in mm.

## Package Drawing

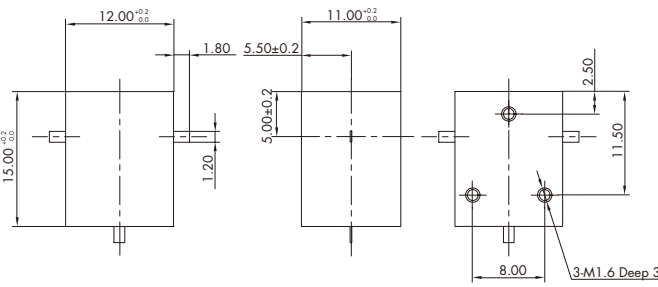
D07



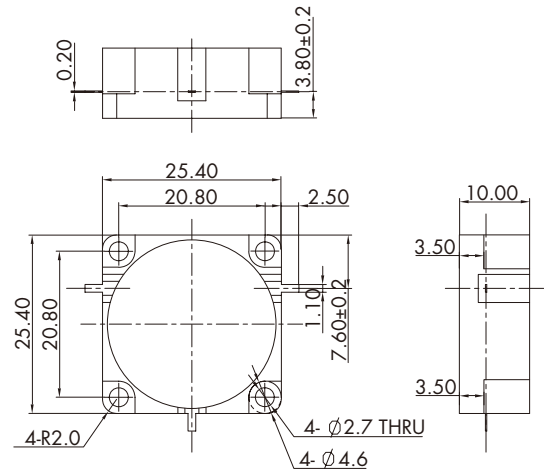
D08



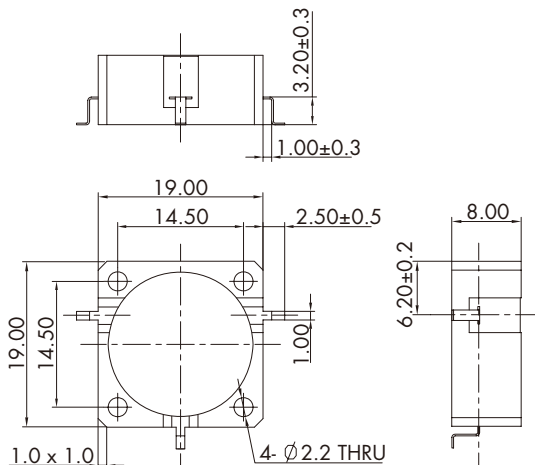
D09



D10



D11



Note: All dimensions are in mm.