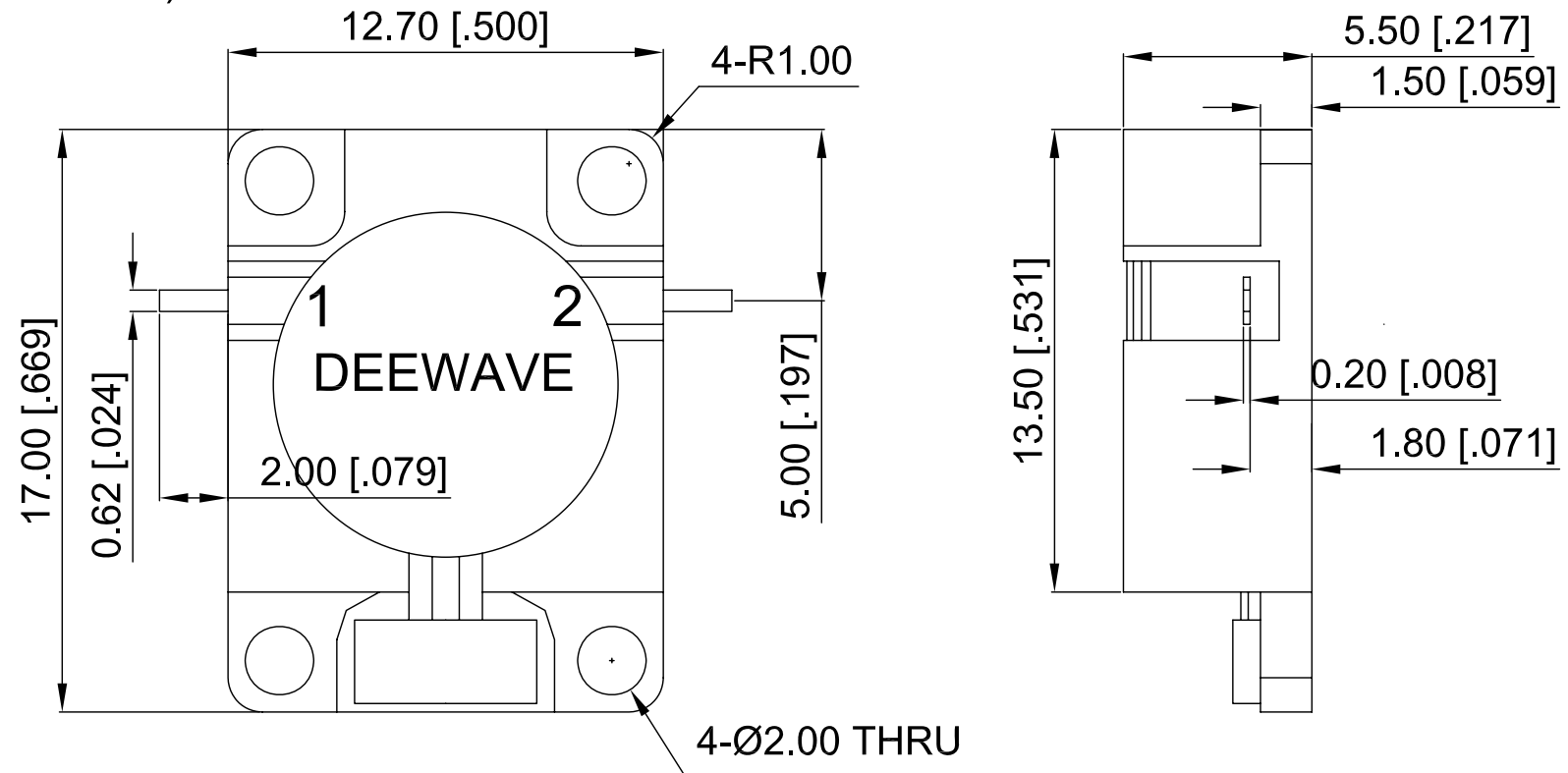



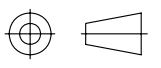
ELECTRICAL SPECIFICATIONS

Frequency Range: 4.7-5.2 GHz
 Impedance: 50 Ohm
 Insertion Loss: 0.4 dB max.
 Isolation: 20 dB min.
 VSWR: 1.20 max.
 Forward Power: 35 W
 Reserve Power: 20 W
 Operation Temp.: -30 to +70 °C (0.50/18/1.35)

Revisions			
Rev	Description	Date	Approved:
A	Initial Release	2014.11.17	A. M



NOTES:
 1. ALL SPECIFICATIONS ARE SUBJECT TO CHANGE WITHOUT NOTICE AT ANY TIME
 2. CUSTOMER OUTLINE DRAWING FOR REFERENCE ONLY

Drawn: W. Y 2014.11.17	Title: Drop-in Isolator Freq 4.7-5.2 GHz	 www.deewave.com	
Checked: T. L 2014.11.17			
Approved: A. M 2014.11.17			
Unless Otherwise Specified Dimensions are in Millimeters, Dimensions in [] are in Inches for Customer Reference Only. Unless Otherwise Specified Tolerance are: .XX ±0.13 [0.005"] .X ±0.20 [0.008"] X ±0.50 [0.019"] .X° ±1° X° ±2°		Part No: DDI470520	View: 
Size: A3	Scale: 4:1	Sheet: 1/1	Rev: A