

**ELECTRICAL SPECIFICATIONS**

Frequency Range: 2.4-2.5 GHz

Insertion Loss: 0.25dB max.

Isolation: 25dB min.

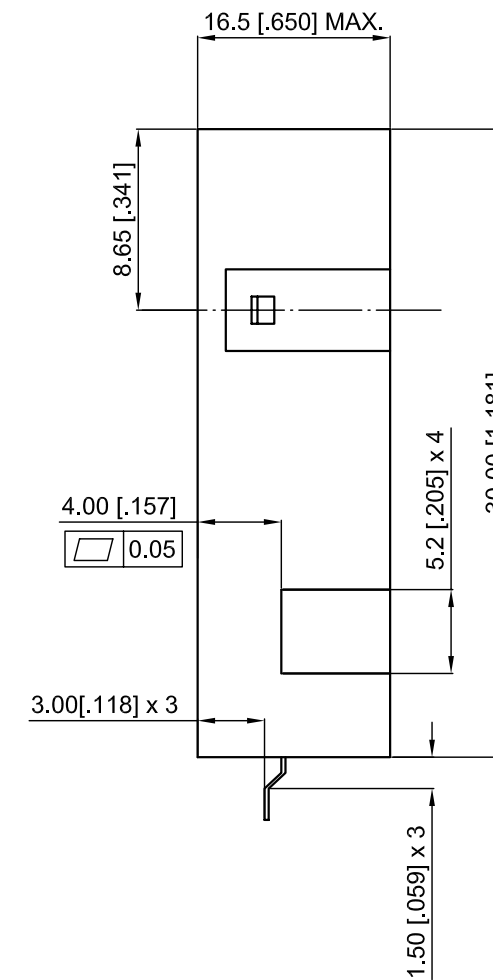
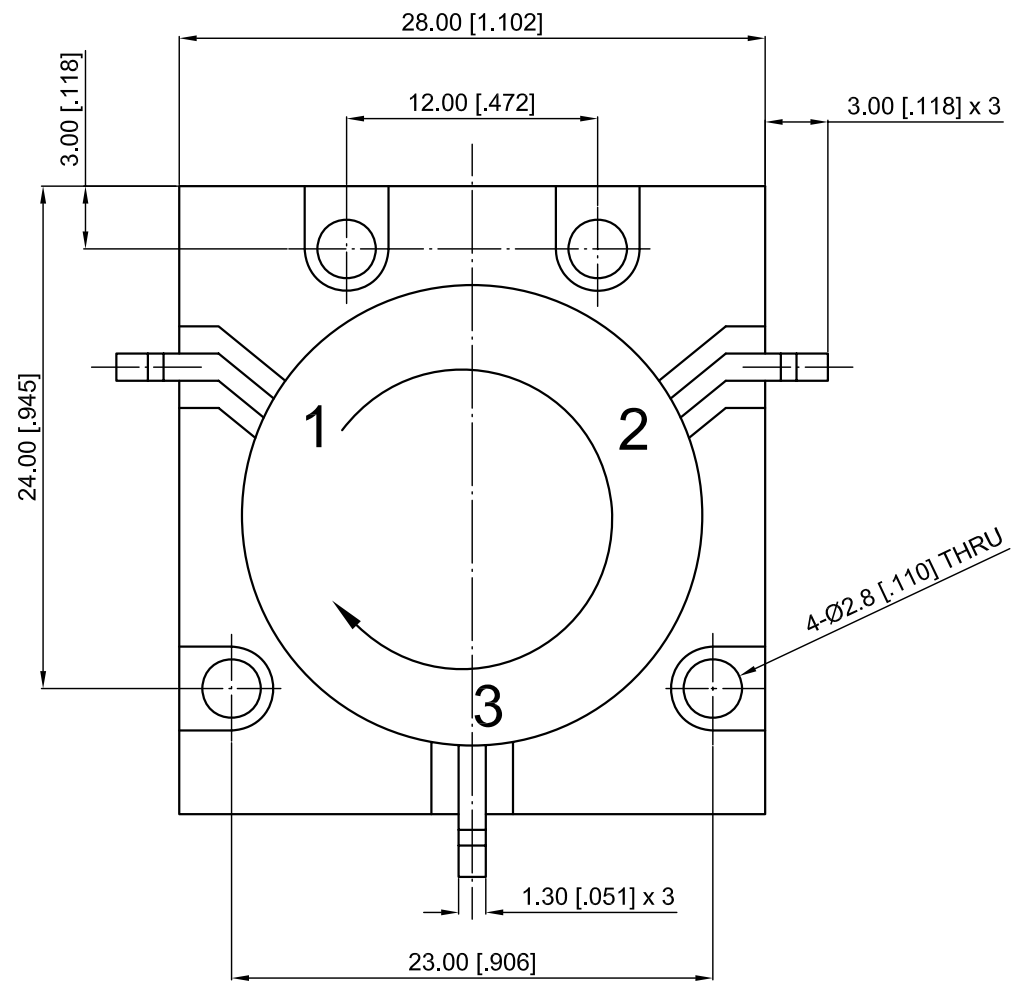
VSWR: 1.20 max

Direction: Clockwise

Forward power: 300W

Reverse power: 300W

Temp. Range: -20~+85°C



Revisions			
Rev	Description	Date	Approved:
A	Initial Release	2014.9.5	A. M

- NOTES:
1. ALL SPECIFICATIONS ARE SUBJECT TO CHANGE WITHOUT NOTICE AT ANY TIME
  2. CUSTOMER OUTLINE DRAWING FOR REFERENCE ONLY

Drawn:	W. Y 2014.9.5
Checked:	T. L 2014.9.5
Approved:	A. M 2014.9.5
Unless Otherwise Specified Dimensions are in Millimeters, Dimensions in [ ] are in Inches for Customer Reference Only. Unless Otherwise Specified Tolerance are: .XX ±0.13 [.005"] .X ±0.20 [.008"] X ±0.50 [.019"] .X° ±1° X° ±2°	

Title:	Drop-in Circulator Freq 2.4-2.5GHz
Part No:	DDC240250

**DEEWAVE**  
www.deewave.com

View:

Size:	Scale:	Sheet:	Rev:
A3	4:1	1/1	A