

6

5

4

3

2

1

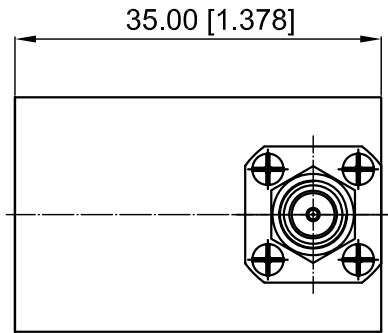
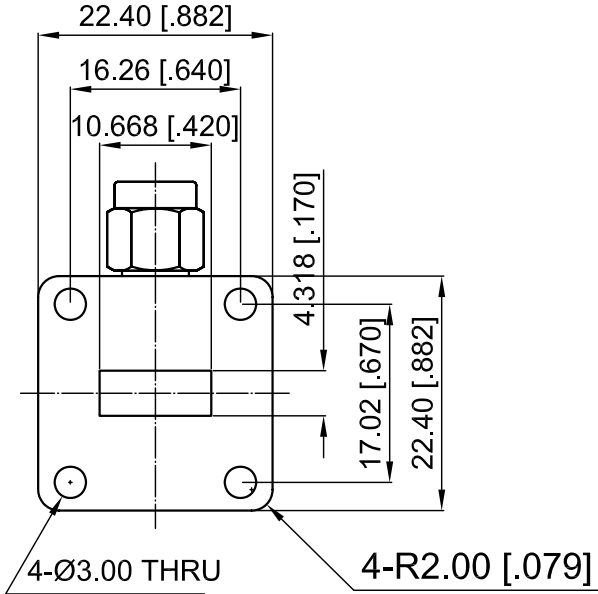
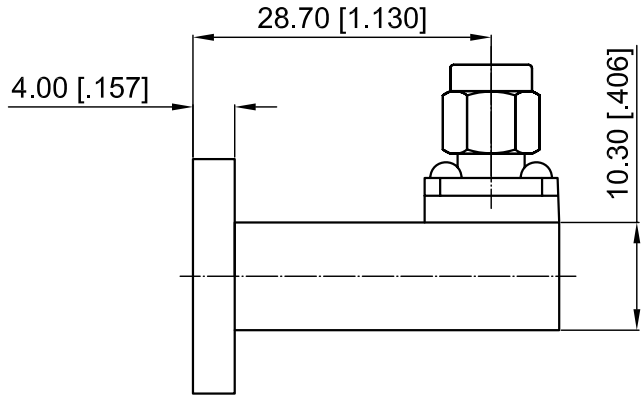
Revisions			
Rev	Description	Date	Approved:
A	Initial Release	2015.1.8	A. M

ELECTRICAL SPECIFICATIONS

Impedance: 50 Ohm
Frequency Range: 18-26.5 GHz
VSWR: 1.25 max.

MATERIAL

Waveguide Body: Brass
3.5mm Connector Body: Stainless Steel Passivated



F

F

E

E

D

D

C

C

B

B

A

A

NOTES:

- 1. ALL SPECIFICATIONS ARE SUBJECT TO CHANGE WITHOUT NOTICE AT ANY TIME
- 2. CUSTOMER OUTLINE DRAWING FOR REFERENCE ONLY

Drawn:	W. Y 2015.1.8
Checked:	T. L 2015.1.8
Approved:	A. M 2015.1.8
Unless Otherwise Specified Dimensions are in Millimeters, Dimensions in [] are in Inches for Customer Reference Only. Unless Otherwise Specified Tolerance are: .XX ±0.13 [.005"] .X ±0.20 [.008"] X ±0.50 [.019"] .X° ±1° X° ±2°	

Title:	WR42 RA to 3.5mm Male Adaptor, 18-26.5 GHz
Part No:	DWCA42-35ML



View:	
Size:	A3
Scale:	1:1
Sheet:	1/1
Rev:	A

6

5

4

3

2

1