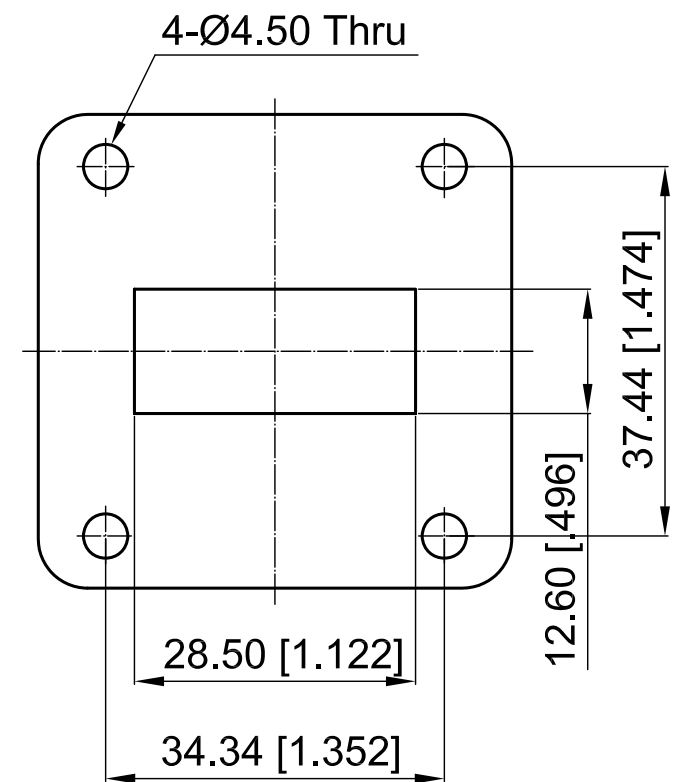
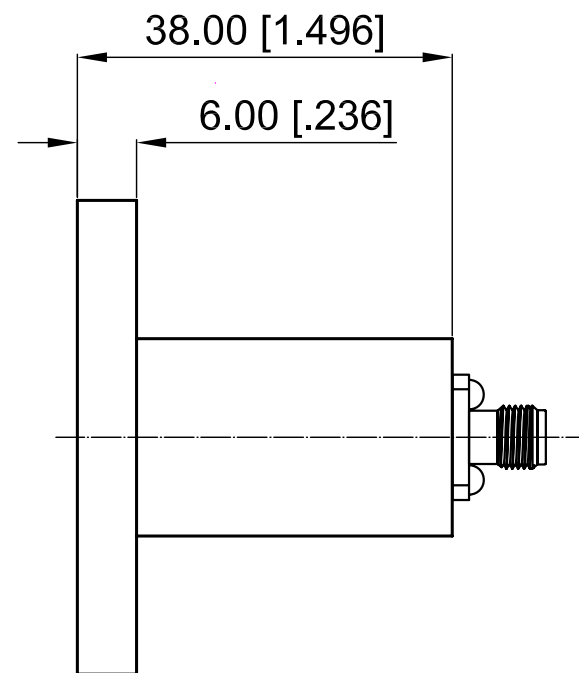
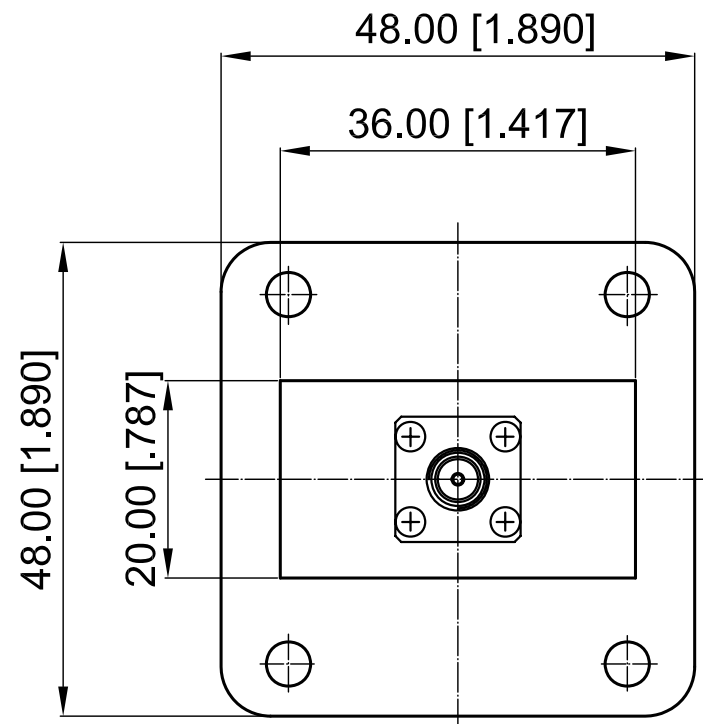


ELECTRICAL SPECIFICATIONS

Frequency Range: 7.05-10 GHz

VSWR: 1.25 max.

Revisions			
Rev	Description	Date	Approved:
A	Initial Release	2015.4.13	A. M



NOTES:

1. ALL SPECIFICATIONS ARE SUBJECT TO CHANGE WITHOUT NOTICE AT ANY TIME
2. CUSTOMER OUTLINE DRAWING FOR REFERENCE ONLY

Drawn:	W. Y 2015.4.13
Checked:	T. L 2015.4.13
Approved:	A. M 2015.4.13
Unless Otherwise Specified Dimensions are in Millimeters, Dimensions in [] are in Inches for Customer Reference Only. Unless Otherwise Specified Tolerance are: .XX ±0.13 [.005"] .X ±0.20 [.008"] X ±0.50 [.019"] .X° ±1° X° ±2°	

Title:	WR112 to SMA Female Adaptor, Direct 180°
Part No:	DWCA112SF

DEEWAVE
www.deewave.com

View:

Size:	Scale:	Sheet:	Rev:
A3	1.5:1	1/1	A