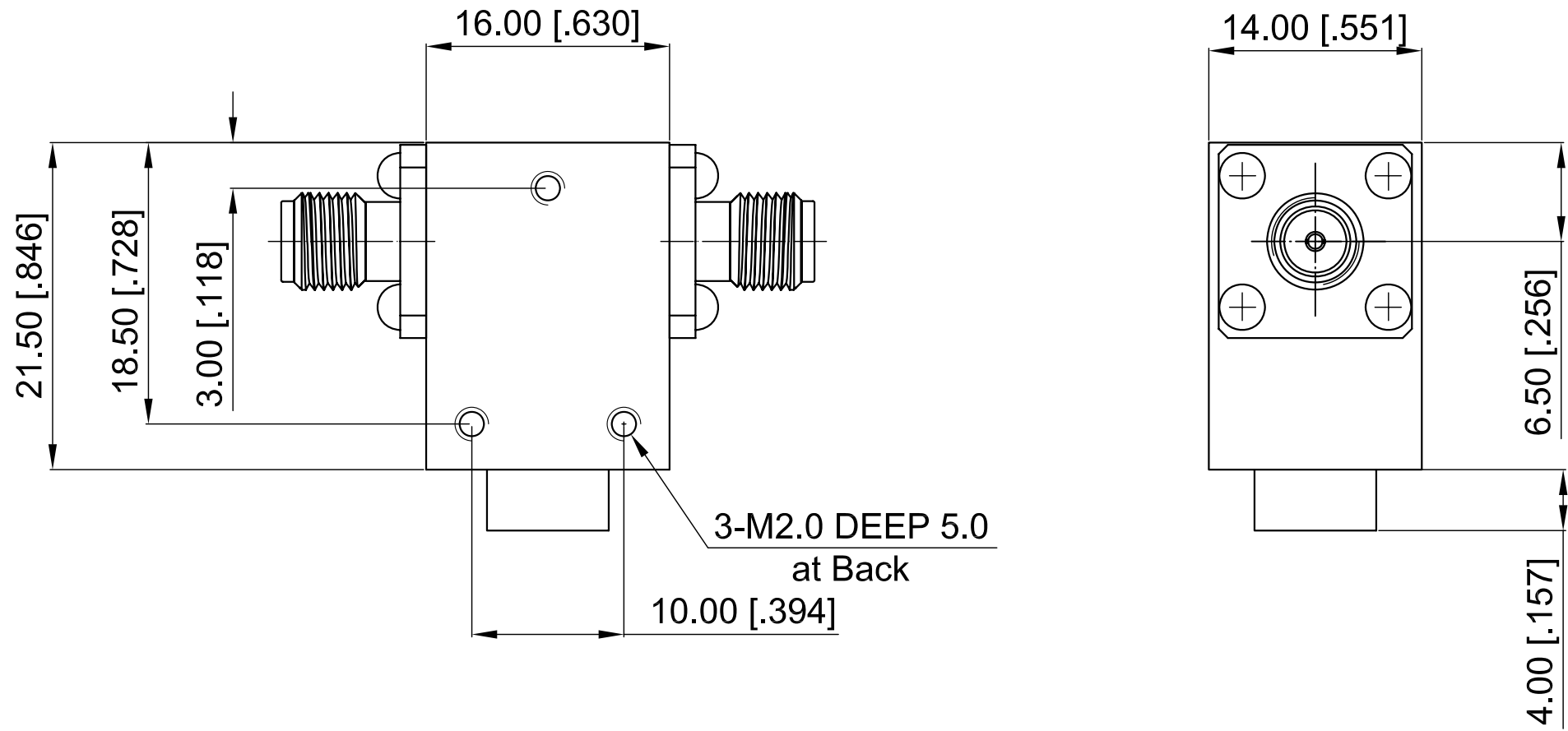


ELECTRICAL SPECIFICATIONS

Frequency Range: 6-18 GHz
 Impedance: 50 Ohm
 Insertion Loss: 1.5 dB max.
 Isolation: 10 dB min.
 VSWR: 1.90 max.
 Load Power: 10W
 Direction: Clockwise


Revisions			
Rev	Description	Date	Approved:
A	Initial Release	2015.02.08	A. M

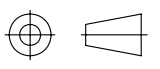


NOTES:
 1. ALL SPECIFICATIONS ARE SUBJECT TO CHANGE WITHOUT NOTICE AT ANY TIME
 2. CUSTOMER OUTLINE DRAWING FOR REFERENCE ONLY

Drawn:	W. Y 2015.02.08
Checked:	T. L 2015.02.08
Approved:	A. M 2015.02.08
Unless Otherwise Specified Dimensions are in Millimeters, Dimensions in [] are in Inches for Customer Reference Only. Unless Otherwise Specified Tolerance are: .XX ±0.13 [.005"] .X ±0.20 [.008"] X ±0.50 [.019"] .X° ±1° X° ±2°	

Title:	SMA Isolator Freq 6-18 GHz
Part No:	DCI6001800B


www.deewave.com

View: 

Size:	Scale:	Sheet:	Rev:
A3	4:1	1/1	A