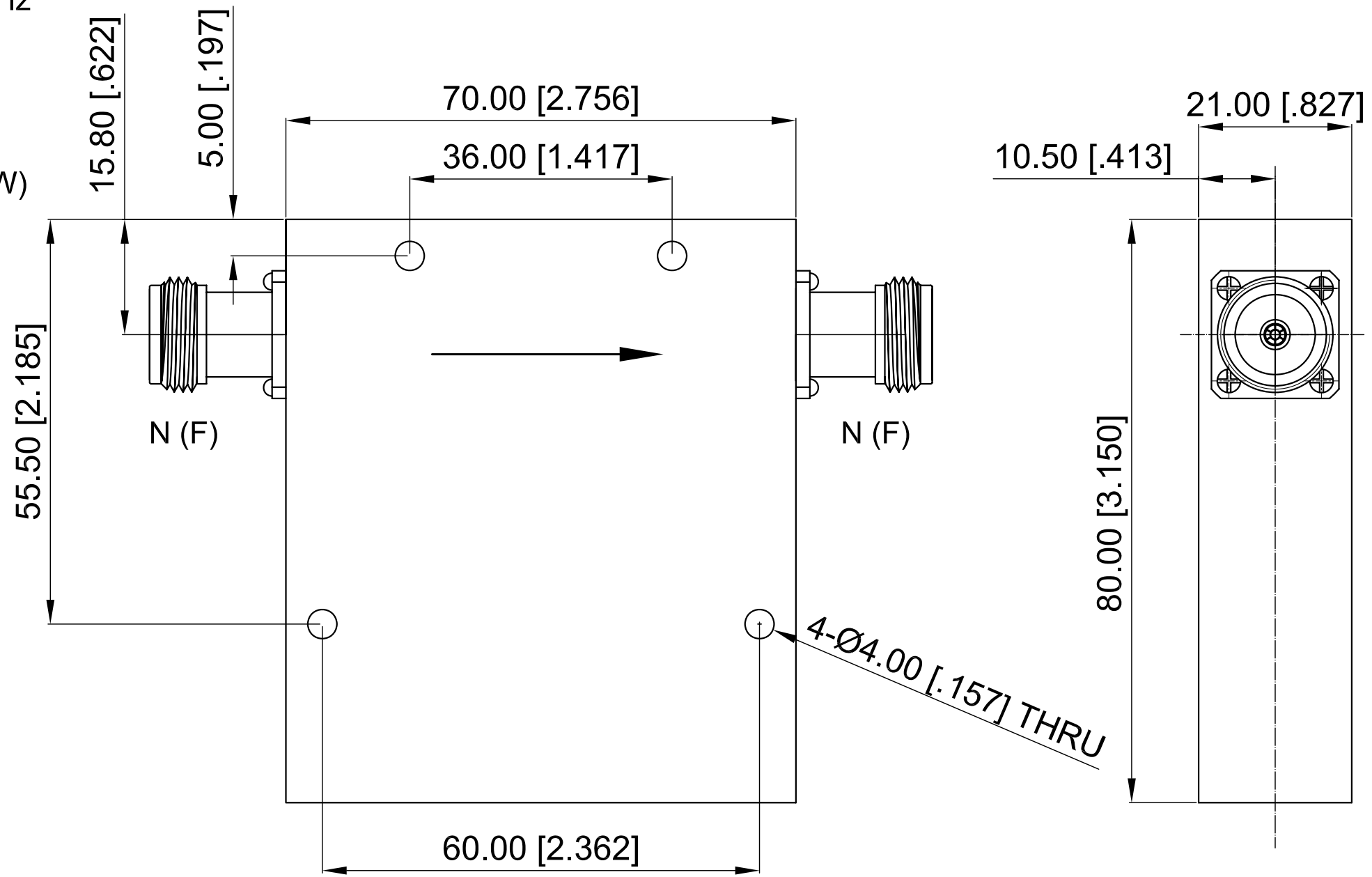


| Revisions |                 |           |           |
|-----------|-----------------|-----------|-----------|
| Rev       | Description     | Date      | Approved: |
| A         | Initial Release | 2014.9.19 | A. M      |

**ELECTRICAL SPECIFICATIONS**

Frequency Range: 0.95-1.80 GHz  
 Insertion Loss: 0.80 dB max.  
 Isolation: 17 dB min.  
 VSWR: 1.45 max.  
 Forward power: 50W  
 Reverse power: 10W (Peak 50W)



NOTES:  
 1. ALL SPECIFICATIONS ARE SUBJECT TO CHANGE WITHOUT NOTICE AT ANY TIME  
 2. CUSTOMER OUTLINE DRAWING FOR REFERENCE ONLY

|  |                |
|--|----------------|
| Drawn:   | W. Y 2014.9.19 |
| Checked:   | T. L 2014.9.19 |
| Approved:  | A. M 2014.9.19 |
| Unless Otherwise Specified Dimensions are in Millimeters,<br>Dimensions in [ ] are in Inches for Customer Reference Only.<br>Unless Otherwise Specified Tolerance are:<br>.XX ±0.13 [.005"] .X ±0.20 [.008"] X ±0.50 [.019"]<br>.X° ±1° X° ±2° |                |

|          |  |
|----------|--|
| Title:   | <b>N Isolator</b><br><b>Freq 0.95-1.80 GHz</b> |
| Part No: | <b>DCI095180N</b>                              |

**DEEWAVE**  
www.deewave.com

View:

|       |        |        |      |
|-------|--------|--------|------|
| Size: | Scale: | Sheet: | Rev: |
| A3    | 1:1    | 1/1    | A    |