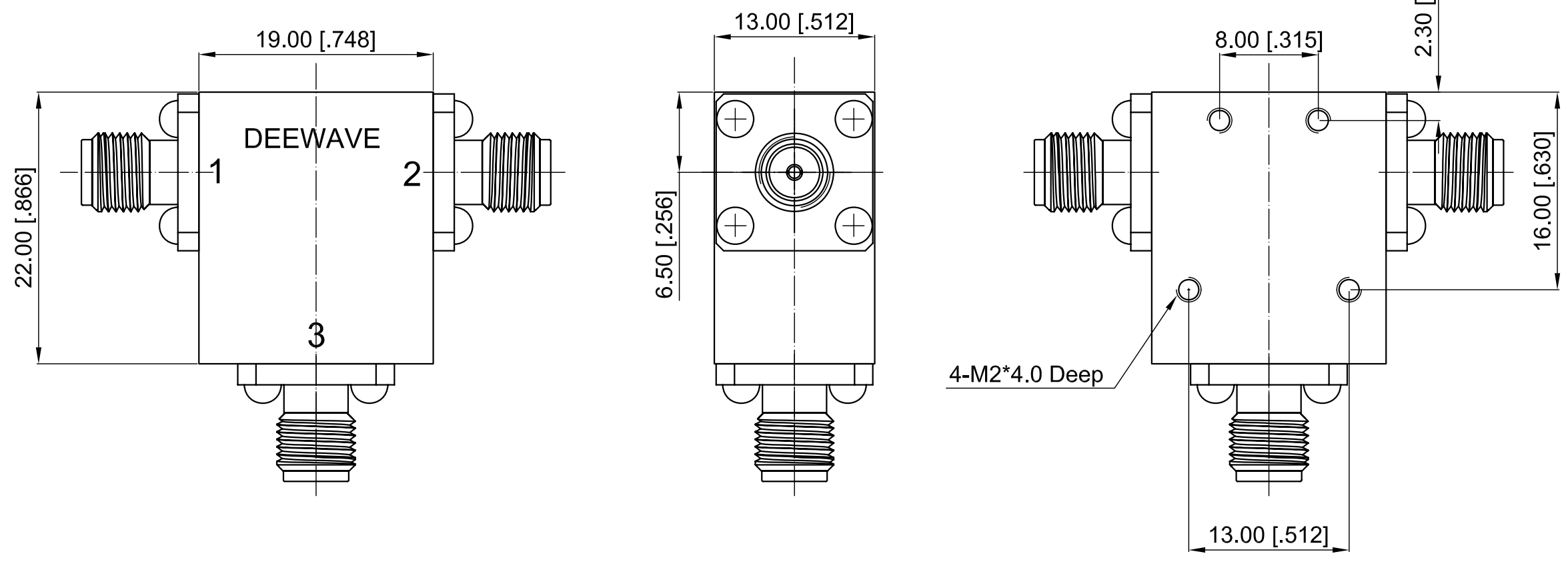


# ELECTRICAL SPECIFICATIONS

Frequency Range: 6-18 GHz  
 Impedance: 50 Ohm  
 Insertion Loss: 1.5 dB max.  
 Isolation: 10 dB min.  
 VSWR: 1.90 max.

Revisions			
Rev	Description	Date	Approved:
A	Initial Release	2015.02.08	A. M



4-M2\*4.0 Deep

NOTES:  
 1. ALL SPECIFICATIONS ARE SUBJECT TO CHANGE WITHOUT NOTICE AT ANY TIME  
 2. CUSTOMER OUTLINE DRAWING FOR REFERENCE ONLY

Drawn:	W. Y 2015.02.08
Checked:	T. L 2015.02.08
Approved:	A. M 2015.02.08
Unless Otherwise Specified Dimensions are in Millimeters, Dimensions in [ ] are in Inches for Customer Reference Only. Unless Otherwise Specified Tolerance are: .XX ±0.13 [.005"] .X ±0.20 [.008"] X ±0.50 [.019"] .X° ±1° X° ±2°	

Title:	SMA Circulator Freq 6-18 GHz
Part No:	DCC6001800B

**DEEWAVE**  
[www.deewave.com](http://www.deewave.com)

View:

Size:	Scale:	Sheet:	Rev:
A3	4:1	1/1	A